

Enervent Neo

COMPREHENSIVE TECHNICAL DETAILS



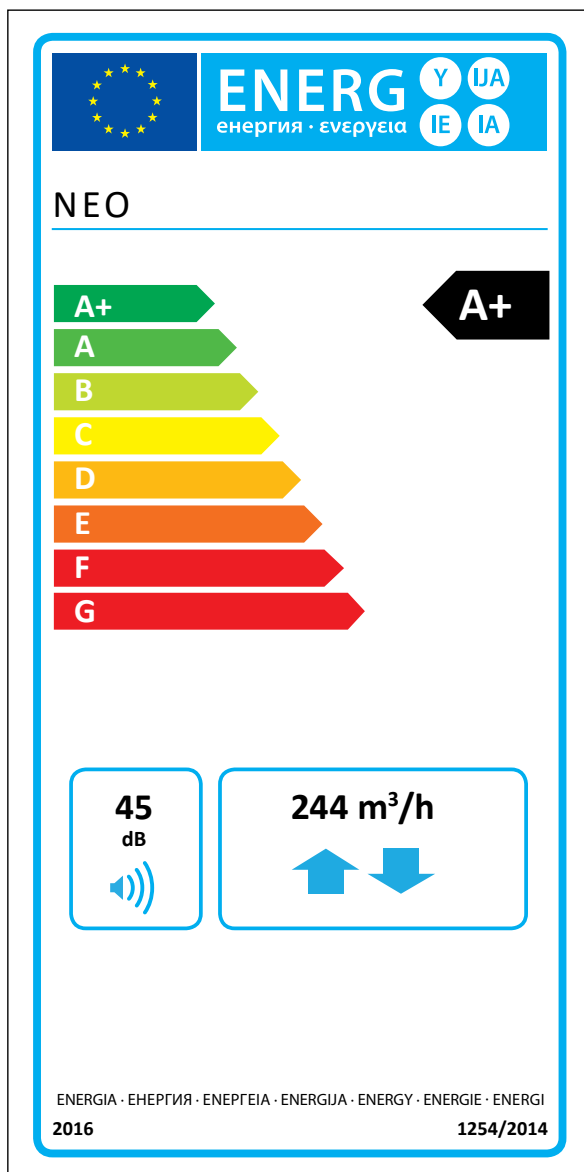
enervent

Enervent Neo

The Enervent Neo unit is best suited for medium sized detached houses or apartments. It is also well suited for public spaces, where a smallish air amount is required.

Neo is a new kind of a ventilation unit inside out. Its insulation material makes the unit very lightweight and especially energy efficient.

Lightweight and slim Neo is the only unit in the market that fits in a standard 60 cm cabinet. It is easy to place the unit out of sight without need for a separate technical space.



The information on the energy label for this product has been defined with local demand control. Local demand control means that the ventilation unit continuously regulates the fan speed(s) and flow rates based on more than one sensor. Please remember to connect all local sensors (some sold as extra equipment) in order to achieve the declared energy class.

Technical details

General information

Reference flow rate according to EcoDesign directive (50 Pa)	244 m ³ /h
Air volume flow	6...350 m ³ /h
Pressure difference	25 to 100 Pa
Leakage	external < 2% (test pressure 250Pa) internal < 0,5%
Duct size	Ø 160 mm
Cooker hood connection	Ø 80 mm
Weight	58 kg
Standard filters, 2 x cassette filter	F7/M5
Filter dimensions (WxHxD)	456 x 227 x 25 mm
IP class	IP20
Condense connection	¼" internal thread
Nominal voltage	230 V, 50 Hz
Nominal current	Motors 1.52 A total After heater 4.6 A

Fans

Nominal voltage	230 V, 50 HZ, EC-type with internal electronics
Type of fan blade	Radial backwards
Nominal power	83 W
Fan control eWind control	4 situations (away, home, boost, timer controlled boost). In each situation both fans can be fine adjusted separately.

Heat recovery

Heat exchanger type	Rotating heat exchanger
Material	Aluminium, non-hygroscopic
Heat exchanger surface	76 m ²
Heat exchanger dimensions	435 x 200 (60 µ)
Heat exchanger motor	5 W
Ventilation unit annual temperature efficiency (EN 13141-7:2010)	84 %
Supply air annual heat recovery efficiency* (EN 16798-3:2017)	96 %
Extract air annual heat recovery efficiency* (D5:2012)	83 %

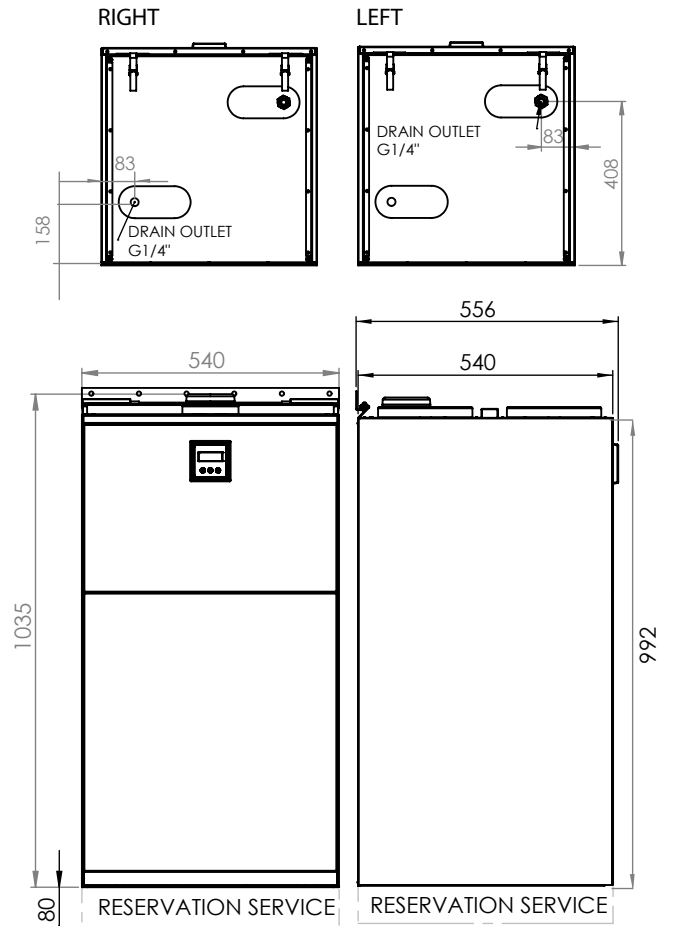
* supply air +18°C, extract air +21°C, exhaust air temperature limit -7°C

Other information

Material inside cover	EPP, fire retardant
Material outside cover	Steel sheet, zinc coated, powder painted
Sound level in supply air duct at fan speeds 20, 40, 60, 80 L _{WA}	29, 35, 44, 50 dB
L _{pA'} dB(A), 10 m ² : sound absorption	41 dB
Standard electric after heater efficiency	1050 W

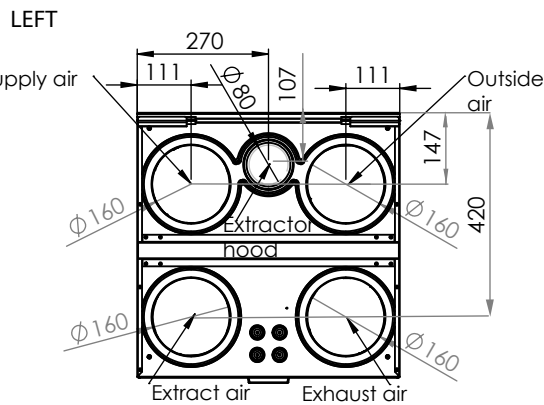
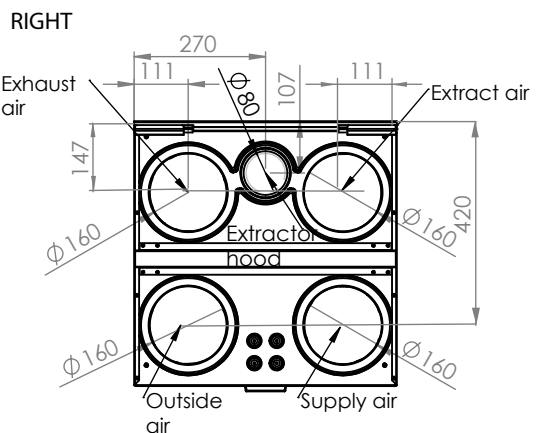
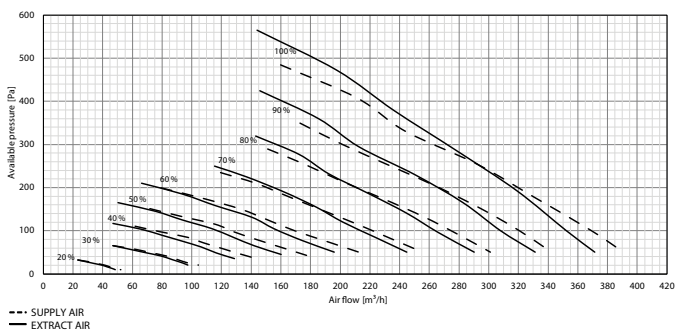


Dimension drawings



Characteristics

Neo supply and extract air characteristics with F7/M5 filters



Installation

Mounting	Floor	Wall	X	Ceiling
Frame alternatives		Right	X	Left

Enervent Zehnder Oy
Kipinätie 1
FI-06150 Porvoo, Finland
Tel: +358 207 528 800
enervent@enervent.com
www.enervent.com

enervent