

Enervent Pandion

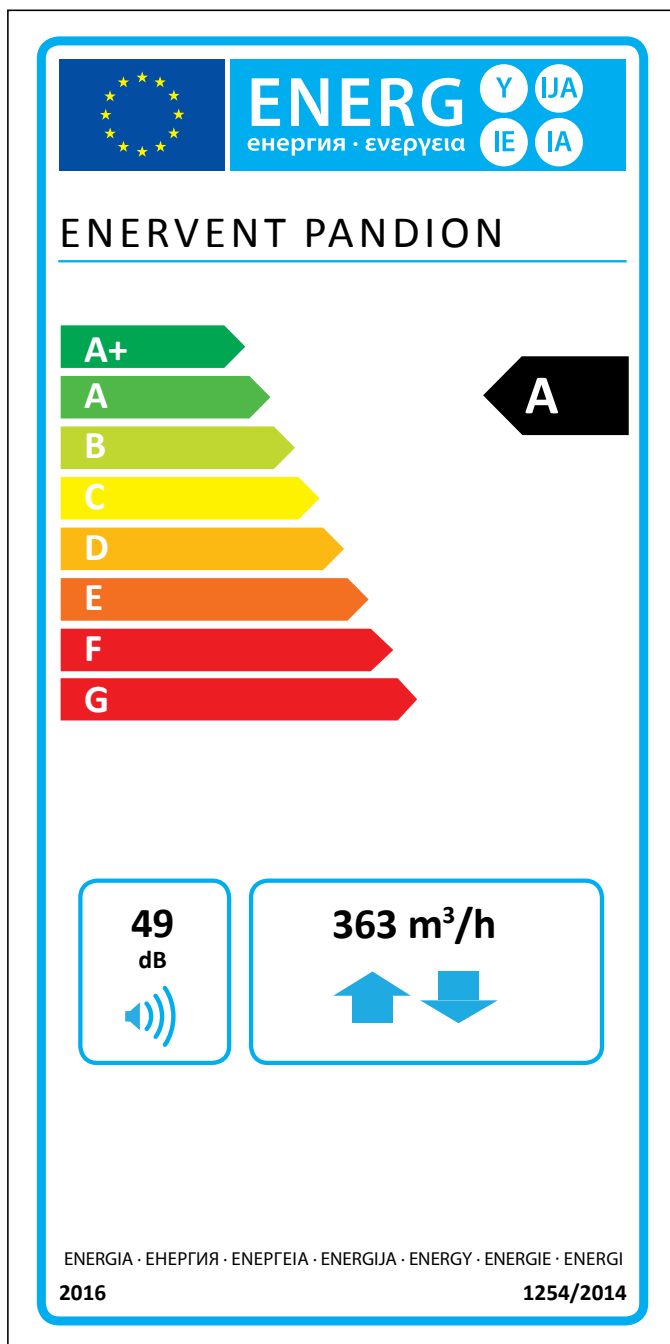
COMPREHENSIVE TECHNICAL DETAILS



enervent

Enervent Pandion

The Enervent Pandion unit is best suited for medium-sized detached houses or apartments. It is also well suited for public spaces, where a smallish air amount is required. The internal pressure drop in the unit has been minimized, which means a smaller energy consumption and high heat recovery efficiency. Due to its design, the unit doesn't freeze even during really cold temperatures. Pandion is equipped with high quality bag filters for fresh and healthy indoor air and low pressure drops.



The information on the energy label for this product has been defined with local demand control. Local demand control means that the ventilation unit continuously regulates the fan speed(s) and flow rates based on more than one sensor. Please remember to connect all local sensors (some sold as extra equipment) in order to achieve the declared energy class.

Technical details

General information

| | |
|---|--|
| Reference flow rate according to EcoDesign directive (50 Pa) | 363 m ³ /h |
| Air volume flow | 50...475 m ³ /h |
| Pressure difference | 25 to 125 Pa |
| Leakage | external < 5% (test pressure 300Pa) internal < 5% |
| Duct size | Ø 160 mm |
| Weight | 90 kg |
| Standard filters, 2 x bag filter Filter dimensions (WxHxD) | M5/M5 464 x 164 x 220 mm |
| Alternative filter 2x bag filter Filter dimensions (WxHxD) | F7/M5 or F7/F7 464 x 164 x 220 mm |
| IP class | IP44 (external control IP20) |
| Water heating coil connections | Intake/return 15 mm |
| Water cooling coil connections | Intake/return 15 mm |
| Evaporator connections | Intake ½", return 15 mm |
| Condense connection | ¼" internal thread |
| Nominal voltage | 230 V |
| Nominal current | Motors 2.9 A total Electrical after heating 3.5 A |

Fans

| | |
|-----------------------------------|--|
| Supply and exhaust air fan type | EBM Papst |
| Supply and exhaust air motor type | G3G146HK0711 |
| Nominal voltage | 230 V (AC) |
| Type of fan blade | Radial forward |
| Nominal power | 230 W |
| Acoustical data | 70 dB(A) DIN 45635-1 ISO 3745 |
| Fan control ECC/ESC control | 4 step (parallel running, possibility to drive supply -20% lower to +10% higher than exhaust). Each step can be adjusted within 20% scale. |
| Fan control EDA/MD control | Stepless (supply and exhaust running separately) |

Heat exchanger

| | |
|---------------------------|-------------------------|
| Heat exchanger type | Rotating heat exchanger |
| Material | Aluminium |
| Heat exchanger surface | 69 m ² |
| Heat exchanger dimensions | 420 x 200 (60 µ) |
| Heat exchanger motor | 6 W |
| Heat exchanger efficiency | 75 – 85 % p.a. |

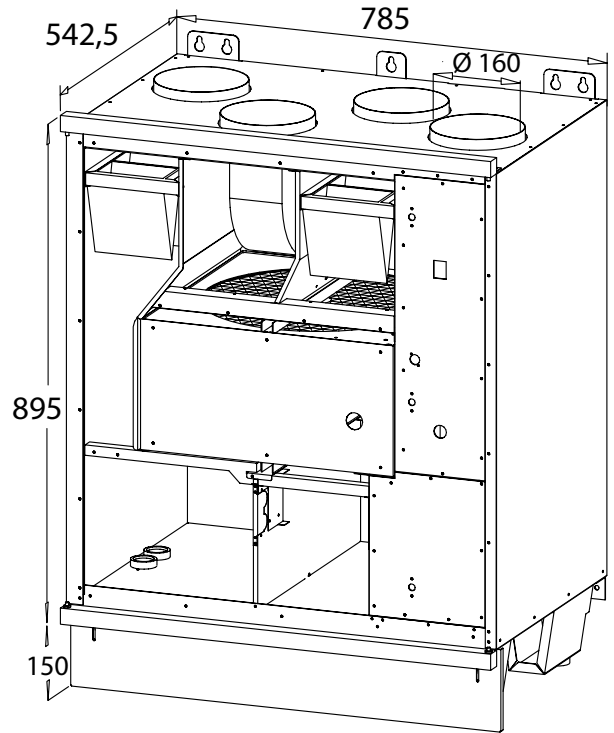
Other information

| | |
|--|--|
| Material inside cover | Steel sheet, zinc coated |
| Material outside cover | Steel sheet, zinc coated, powder painted |
| Sound level in supply air duct at fan speeds 20, 40, 60, 80 and 100% LWA | 29, 36, 45, 52, 56 dB(A) |
| LPA, dB(A), 10 m ² : sound absorption | 25, 32, 41, 48, 52 dB(A) |
| Standard electric after heater efficiency | 800 W |
| Positioning of a cooling (CG) coil | E-models built-in W-models in duct |
| Duct cooler measurements (WxHxL), mm | 415x330x396 |



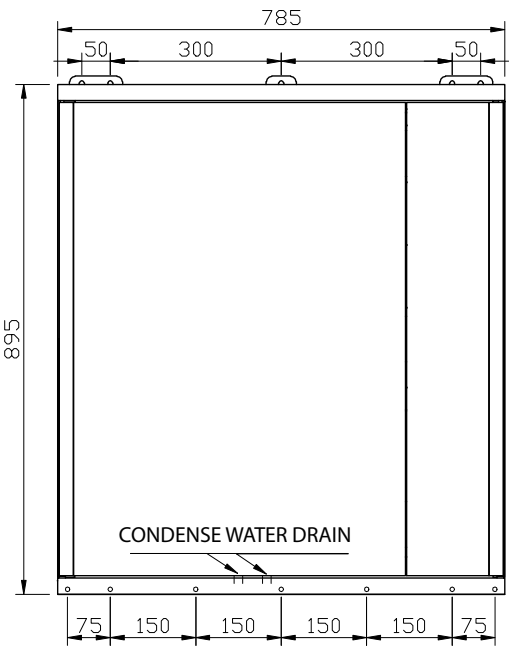
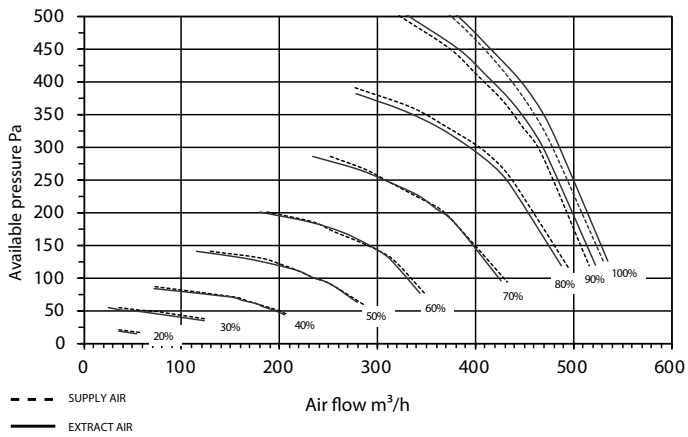
The ceiling mounting plate is sold as extra equipment.

Dimension drawings



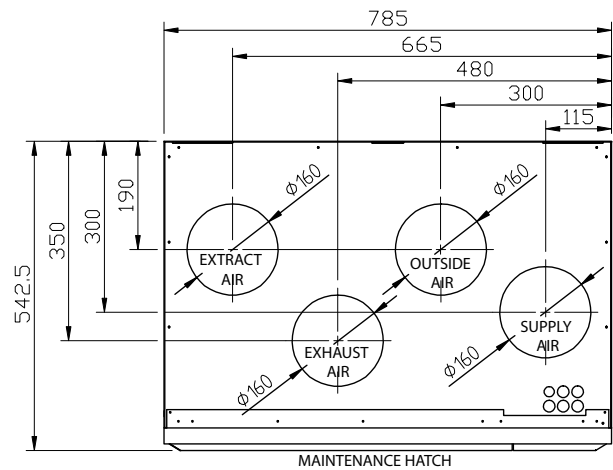
Characteristics

Pandion supply and extract air characteristic curves with M5/M5 filters



Installation

| | | | | | | |
|--------------------|-------|---|-------|---|---------|---|
| Mounting | Floor | X | Wall | X | Ceiling | X |
| Frame alternatives | | | Right | X | Left | |



Enervent Oy
Kipinätie 1, FI-06150 PORVOO
Tel +358 207 528 800
enervent@enervent.com
www.enervent.com

enervent