

Enervent LTR-4

COMPREHENSIVE TECHNICAL DETAILS

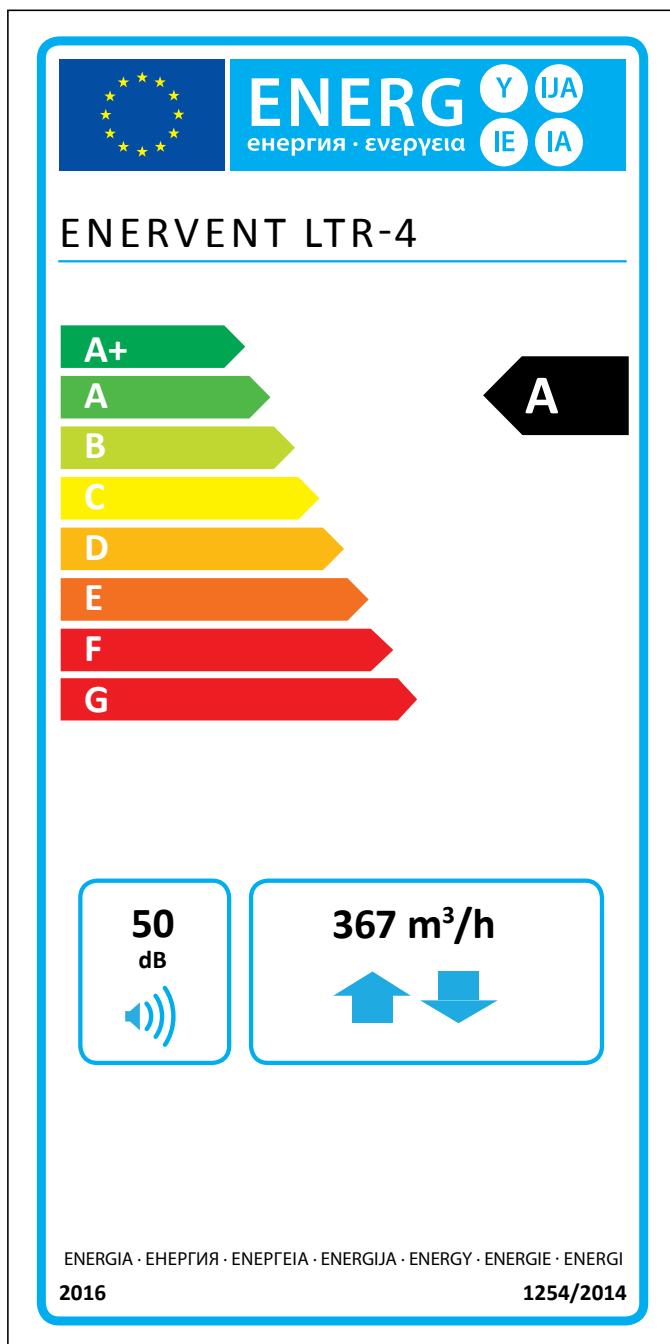


enervent

Enervent LTR-4

The Enervent LTR-4 unit is best suited for medium-sized detached houses or apartments.

The LTR-series units are designed for installation in the roof, in the attic, in a false ceiling or in a technical space. The horizontal installation often saves a lot of space. LTR-series units are well insulated and can be installed in cold places. The unit needs additional insulation if the temperature around it drops below -10°C. The simple but ingenious structure and the low pressure drop of the unit ensure an inexpensive and safe operation.



The information on the energy label for this product has been defined with local demand control. Local demand control means that the ventilation unit continuously regulates the fan speed(s) and flow rates based on more than one sensor. Please remember to connect all local sensors (some sold as extra equipment) in order to achieve the declared energy class.

Technical details

General information

Reference flow rate according to EcoDesign directive (50 Pa)	367 m ³ /h
Air volume flow	50...522 m ³ /h
Pressure difference	25 to 125 Pa
Leakage	external < 5% (test pressure 300Pa) internal < 5%
Duct size	Ø 200 mm
Weight	85 kg
Standard filters, 2 x cassette filter Filter dimensions (WxHxD)	F7/M5 474 x 216 x 60 mm (M5) 474 x 216 x 60 mm (F7)
Alternative filters, 2 x cassette filter Filter dimensions (WxHxD)	F7/F7 474 x 216 x 60 mm (F7)
IP class	IP44 (external control IP20)
Condense connection	¼" internal thread
Nominal voltage	230 V
Nominal current	Motors 2.6 A total Electrical after heating 3.48 A

Fans

Supply and exhaust air fan type	Ebm-Papst
Supply and exhaust air motor type	G3G146-HK07-11
Nominal voltage	230 V (AC), EC-type with external electronics
Type of fan blade	Radial forward
Nominal power	163 W
Acoustical data	65 dB(A) DIN 45635-1 ISO 3745
Fan control ECC/ESC control	4 step (parallel running, possibility to drive supply -20% lower to +10% higher than exhaust). Each step can be adjusted within 20% scale.
Fan control EDA/MD control	Stepless (supply and exhaust running separately)

Heat exchanger

Heat exchanger type	Rotating heat exchanger
Material	Aluminium
Heat exchanger surface	84 m ²
Heat exchanger dimensions	420 x 200 (60 µ)
Heat exchanger motor	5 W
Heat exchanger efficiency	75 – 85 % p.a.

Other information

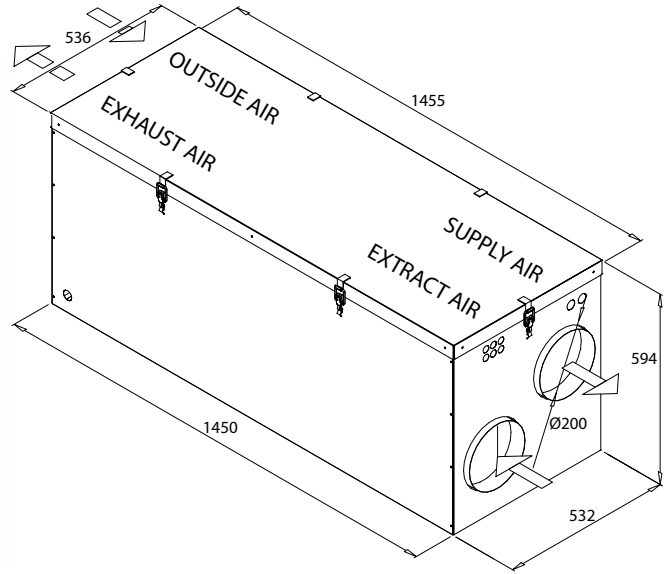
Material inside cover	Steel sheet, zinc coated
Material outside cover	Steel sheet, zinc coated
Standard electric after heater efficiency	800 W
Positioning of the water-circulating after heater	built-in
Positioning of a cooling (CG) coil	built-in

Sound levels

	L _w	L _{wA}
Supply air duct	83,3 dB	75,5 dB(A)
Extract air duct	71,1 dB	61,8 dB(A)
Outdoor air duct	72,1 dB	61,5 dB(A)
Exhaust air duct	82,3 dB	75,0 dB(A)
Through casing	65,4 dB	56,5 dB(A)
-> 10 m ² absorption L _{pA}	52,5 dB(A)	

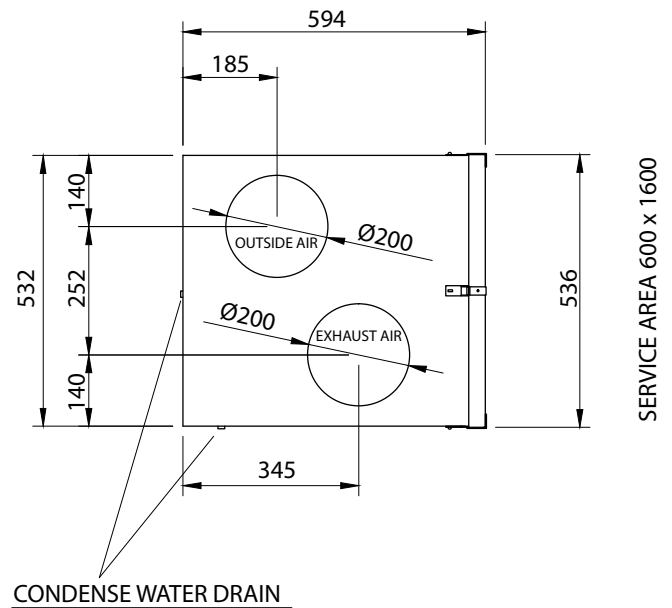
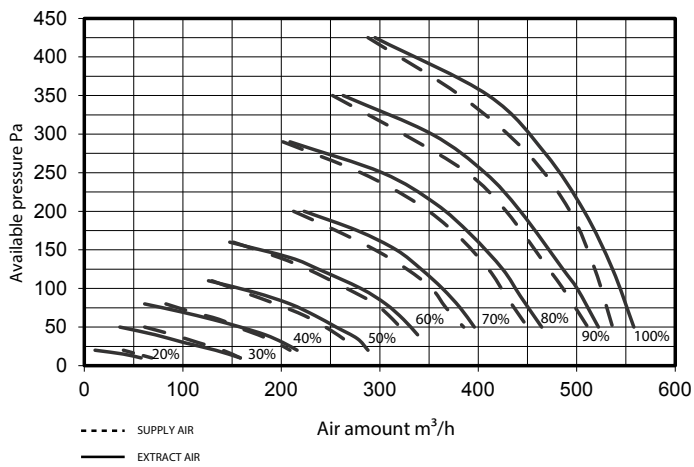


Dimension drawings



Characteristics

Characteristics for LTR-4 supply and extract air fan with F7/M5 filters



Installation

LTR-4 units can be installed with the maintenance hatch upwards or to either side. The unit must not be installed with the hatch downwards or with the duct connections vertically. LTR-4 units with cooling coils must be installed with the service hatch to the side.

Enervent Oy
Kipinätie 1, FI-06150 PORVOO
Tel +358 207 528 800
enervent@enervent.com
www.enervent.com

enervent