

# eWind-ventilation units

Installation of an external eWind operating panel



**enervent**

# SAFETY

---

## General

### DANGER

Always check that the equipment supply voltage is switched off before opening the service hatch.

### WARNING

In case of malfunction, always find out the reason for the malfunction before starting the unit again.

### WARNING

Wait for two (2) minutes after switching off the power of the unit before commencing the maintenance. Although the power is switched off, the fans continue running and the heating element stays hot for a while.

## Electrical safety

### DANGER

Only an authorised electrician may perform any actions in the electrical box.

### DANGER

Follow the local regulations on electrical installations.

### CAUTION

Check that the unit is entirely isolated from the mains before conducting any voltage tests, insulation resistance measurements or other electrical work or measurements. Such work may damage the sensitive electrical devices.

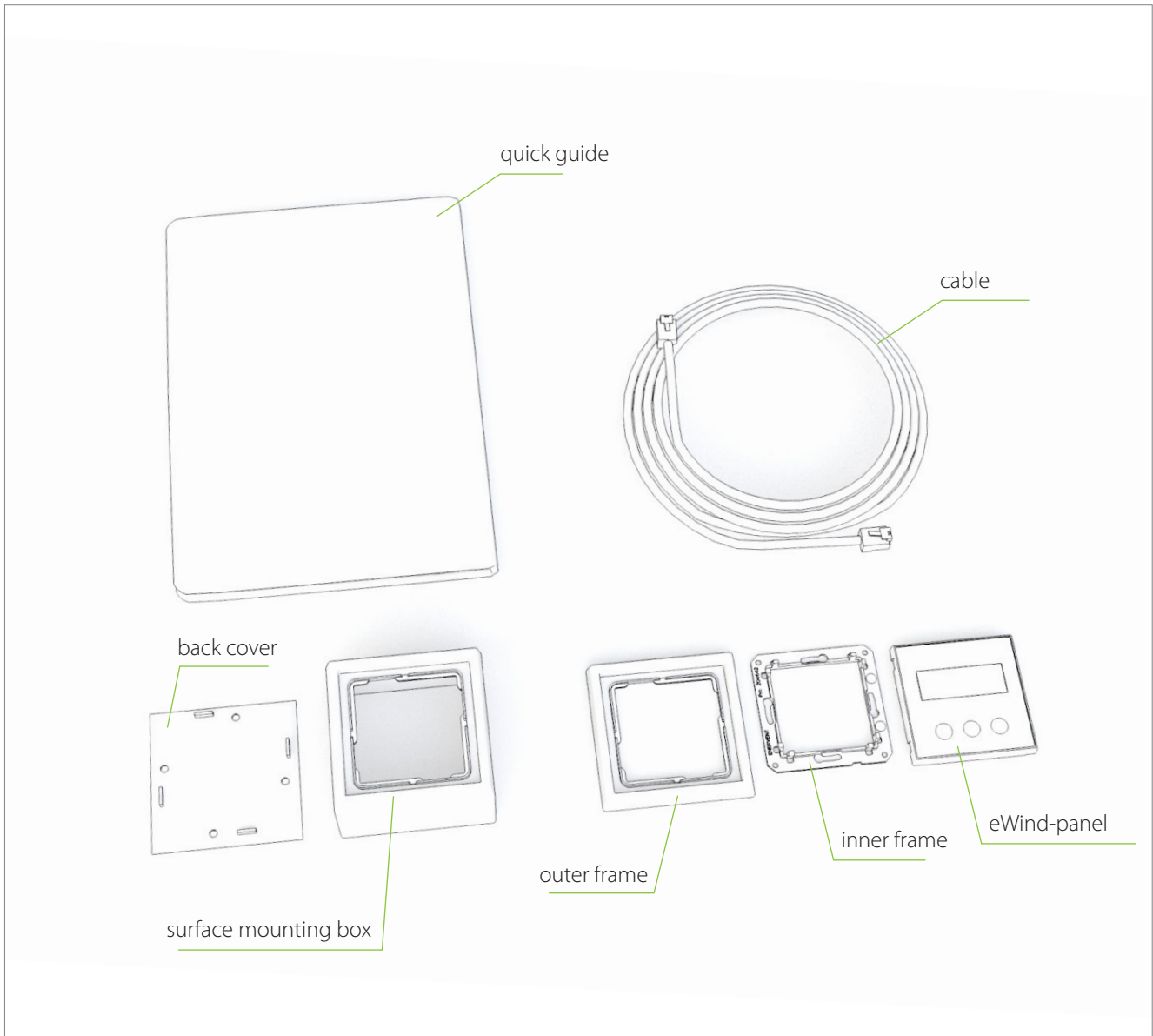
### CAUTION

Control devices used in the ventilation units may cause leakage current. It may affect the operation of the residual current devices.

### CAUTION

All ventilation units with a control system must be equipped with an over-voltage arrester.

# CONTENTS OF THE DELIVERY



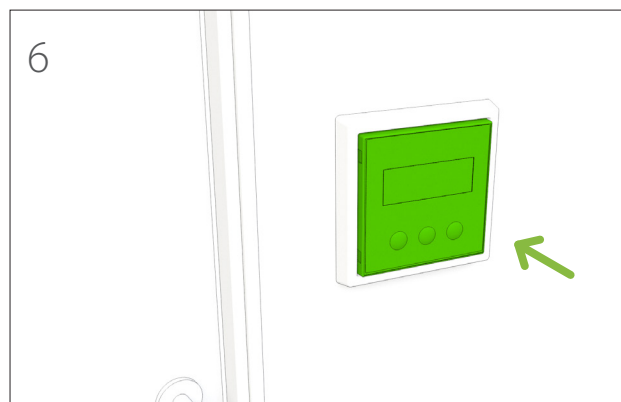
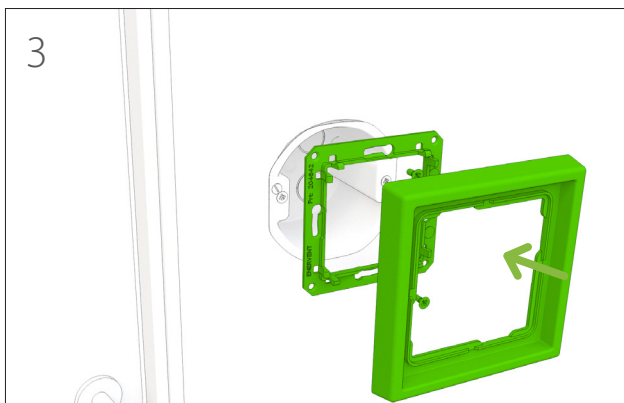
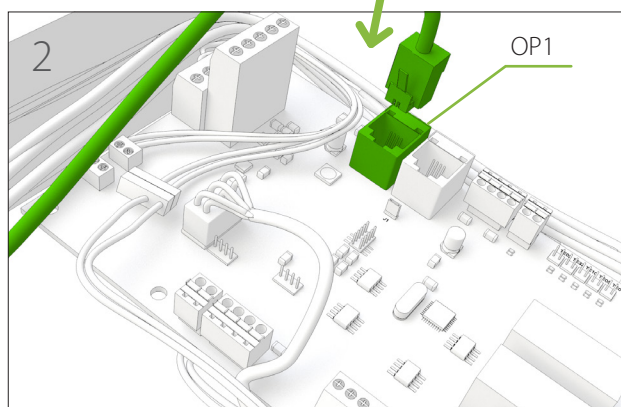
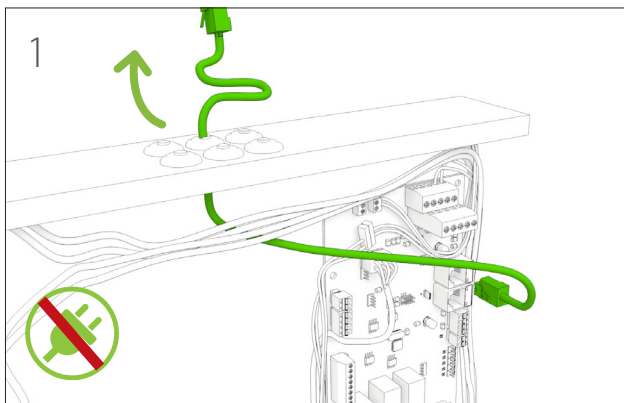
## Contents of the delivery

eWind-panel
Inner frame
Outer frame
Surface mounting box
Surface mounting box back cover
10 m cable
Quick guide

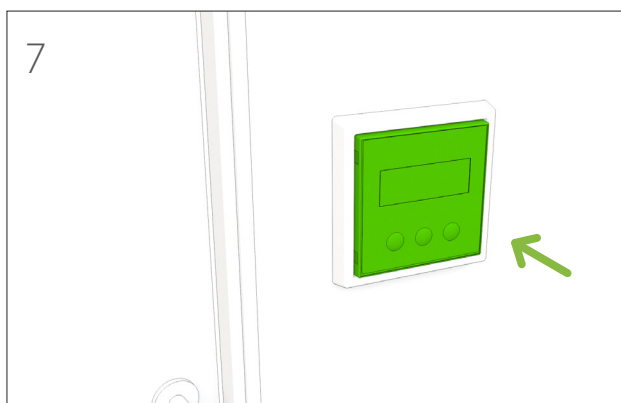
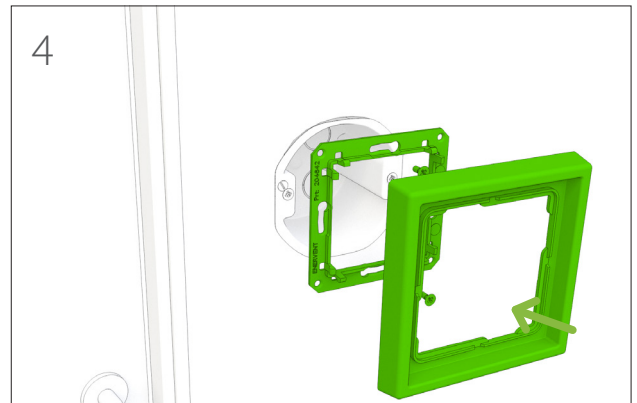
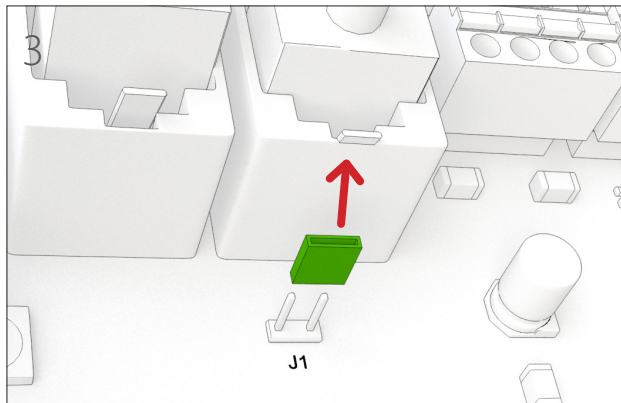
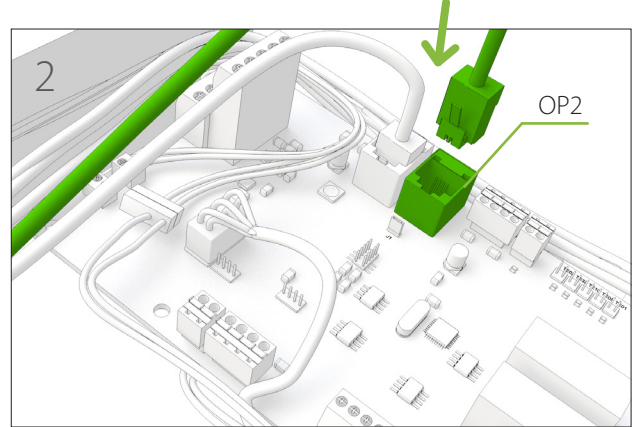
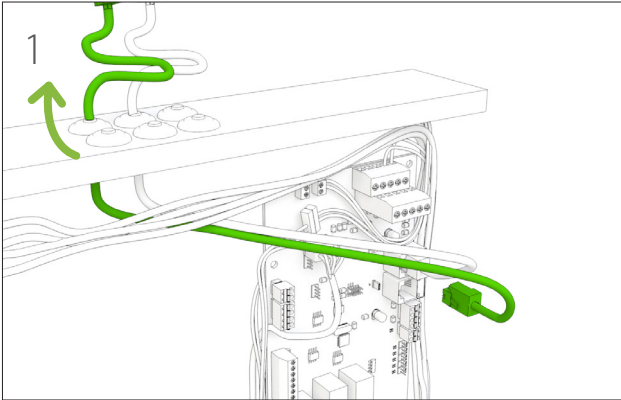
## Installation of an external eWind operating panel

The eWind control panel is installed in a wall-type installation box or by using the surface mounting box supplied with the delivery. Max. two external control panels can be installed to the ventilation unit.

### Installing the first operating panel



## Installing a second operating panel



---



Enervent Oy  
Kipinätie 1  
FIN-06150 Porvoo, Finland  
Tel. +358 207 528 800  
Fax. +358 207 528 844  
enervent@enervent.com  
**www.enervent.com**