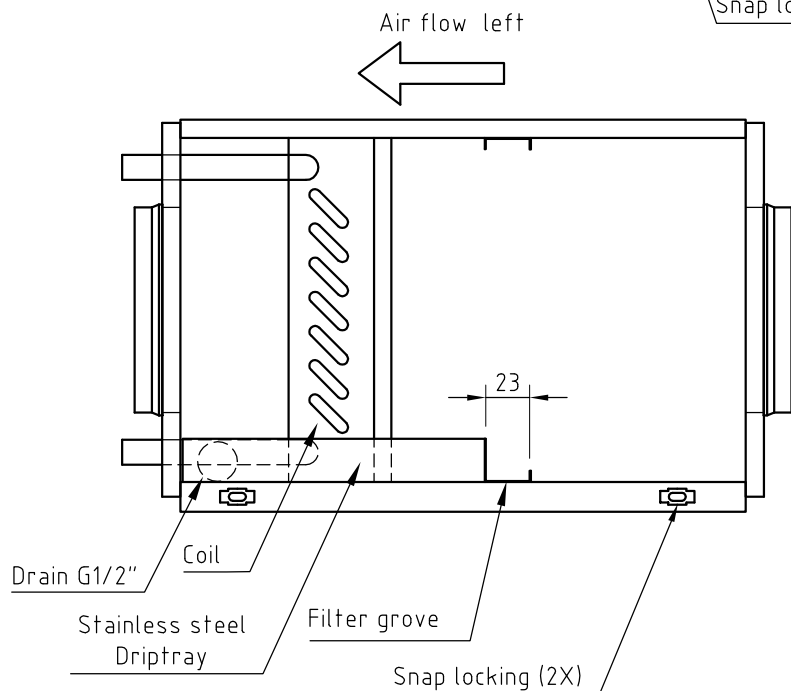
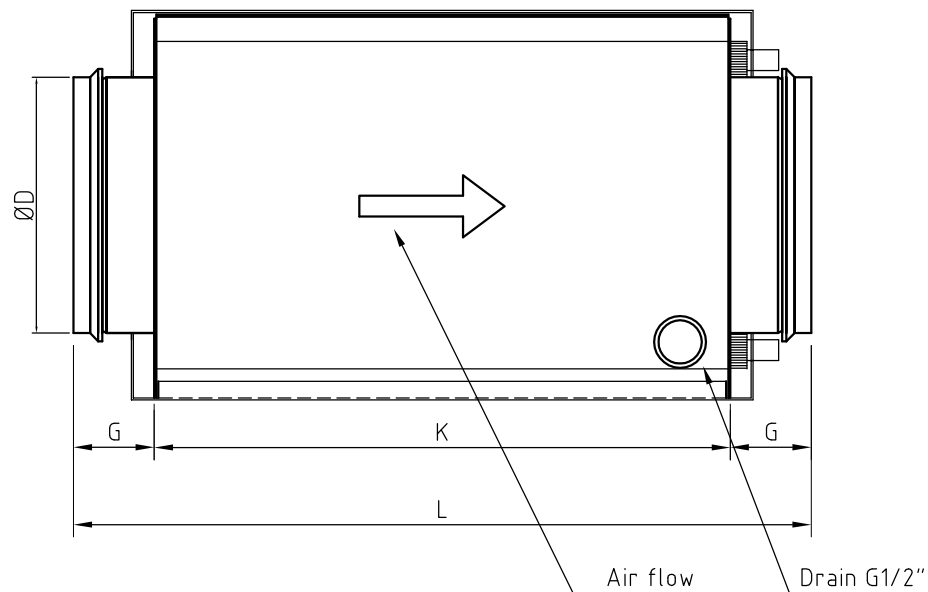
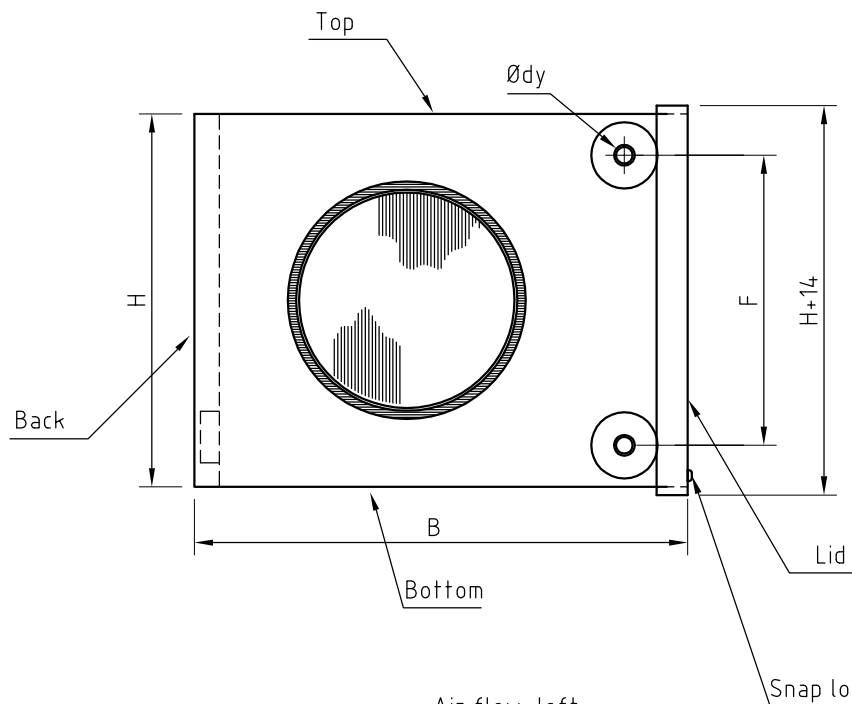


This drawing and its contents is the property of the company and may not be copied or otherwise disclosed to any third part without our consent. Contraventions will be prosecuted.



Condensation insulation on top, bottom, back and in the lid.

Typ	Dimension							
	ØD	H	B	ØDY	F	G	K	L
CWK 200-3-2,5-L	200	330	415	22	250	40	396	476
CWK 250-3-2,5-L	250	405	491		325			
CWK 400-3-2,5-L	400	529	715	22	425	55	450	560

Det.No.	1	Qty.	Designation		Material/ Dimension		ALZ	
Designed by	GM	Drawn by	GM	Approved by	GM	Standard	Scale	Replaces
						CWK-L, General Drawing Filter groove, snap locking, insulation lid		
						Date 110228		Edition 3
						Drawing No. 55019		

No.	Qty.	Modification/Revision/Message	Date	Resp.	No.	Qty.	Modification/Revision/Message	Date	Resp.
2	x	filter bortt. breddat filt spår inf -L	131003	GM					