

# Enervent Salla (D)

COMPREHENSIVE TECHNICAL DETAILS

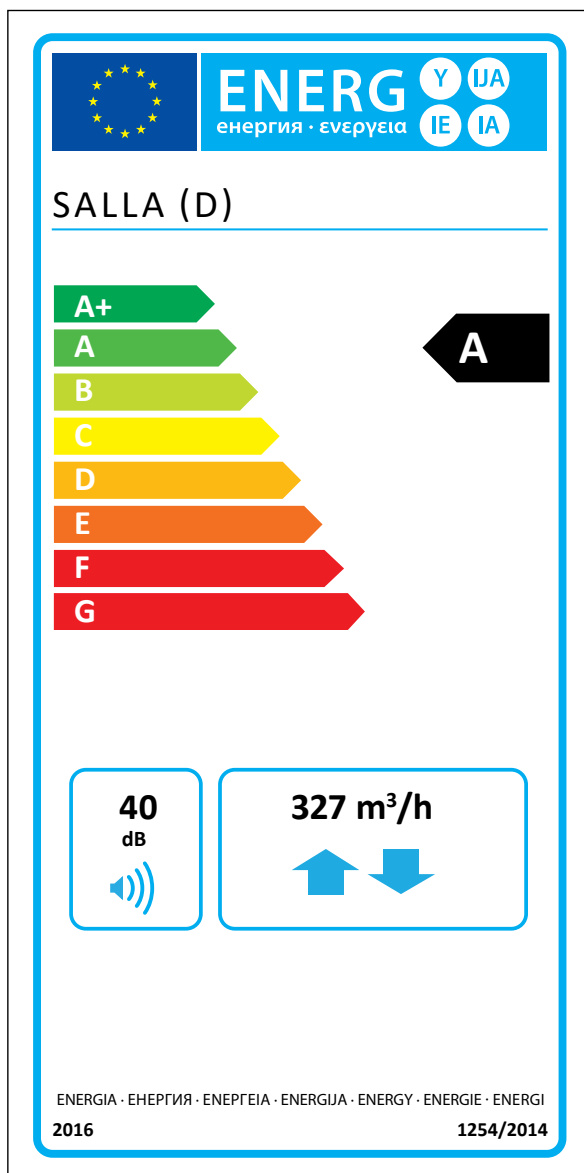


***enervent***

# Enervent Salla (D)

Enervent Salla (D) is a perfect ventilation unit for spaces that many other units can't fit into. Going short of size does not mean going short of features – Salla (D) is proof that efficiency does not equal size.

Enervent Salla (D) is lower than most ventilation units and it has a built-in water lock for condense water. Due to these features, no installation space is required under the unit. It can i.e. be placed over a washing tower.



## Technical details

### General information

Reference flow rate according to EcoDesign directive (50 Pa)	64 l/s
Air volume flow	15 – 94 l/s
Pressure difference	15 – 100 Pa
Leakage	external < 0,5 % internal < 0,5 %
Duct size	Ø 160 mm
Duct size CHC	Ø 125 mm
Weight	50 kg
Standard filters	F7/F7
IP class	IP44 (external control IP20)
Condense connection	¼" internal thread
Nominal voltage	230 V
Nominal current	Motors 1,8 A total Electrical after heating 1.7 A

### Fans

Supply and exhaust air fan type	Ebm-Papst
Supply and exhaust air motor type	G3G146-ED19-10
Nominal voltage	230 V (AC), EC-type with integrated electronics
Type of fan blade	Radial, forward curved
Nominal power	118 W
Acoustical data	65 dB(A) DIN 45635-1 ISO 3745
Fan control eWind control	4 situations (away, home, boost, timer controlled boost). In each situation both fans can be fine adjusted separately.
Fan control eAir control	Stepless (supply and extract running separately)

### Heat exchanger

Heat exchanger type	Rotating heat exchanger
Material	Aluminium
Heat exchanger surface	57 m <sup>2</sup>
Heat exchanger dimensions	370 x 200 (60 µ)
Heat exchanger motor	5 W
Ventilation unit annual temperature efficiency (EN 13141-7:2010)	84 %
Supply air annual heat recovery efficiency* (EN 16798-3:2017)	96 %
Extract air annual heat recovery efficiency* (D5:2012)	83 %

\* supply air +18°C, extract air +21°C, exhaust air temperature limit -7°C

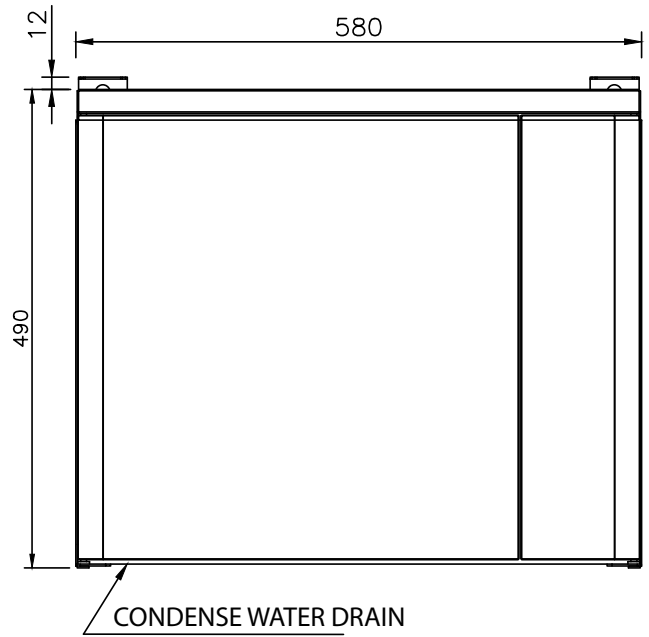
### Other information

Material inside cover	Steel sheet, zinc coated
Material outside cover	Steel sheet, zinc coated, powder painted
Sound level in supply air duct according fan speed levels 20, 40, 60, 80 and 100 % LWA	
LPA, dB(A), 10 m <sup>2</sup> sound absorption	
Standard electric after heater efficiency	400 W

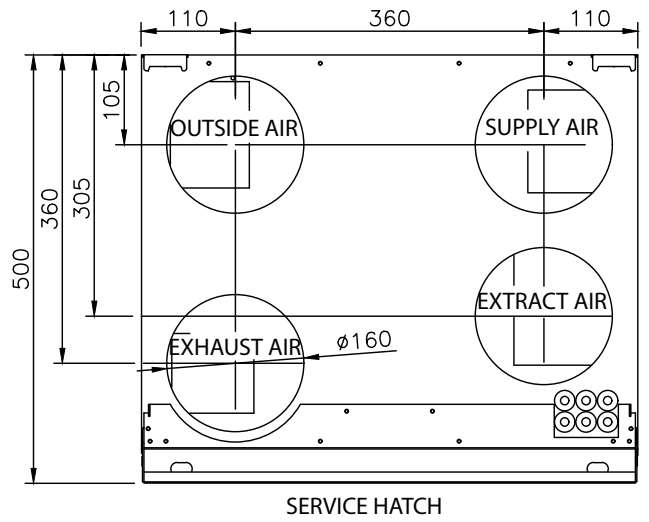
The information on the energy label for this product has been defined with local demand control. Local demand control means that the ventilation unit continuously regulates the fan speed(s) and flow rates based on more than one sensor. Please remember to connect all local sensors (some sold as extra equipment) in order to achieve the declared energy class.



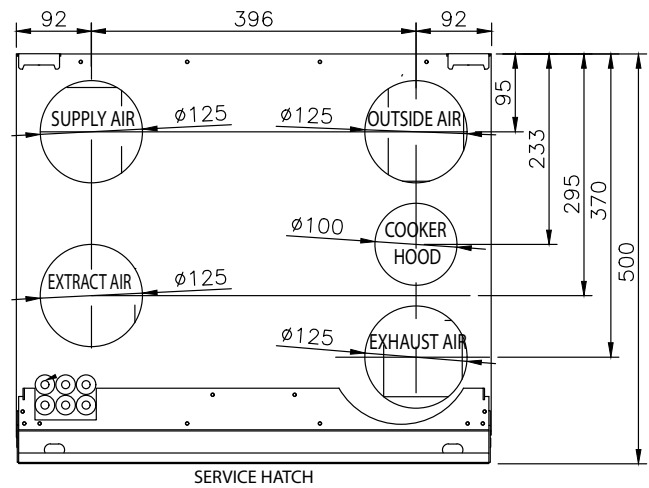
## Dimension drawings



Right handed unit without connection for cooker hood

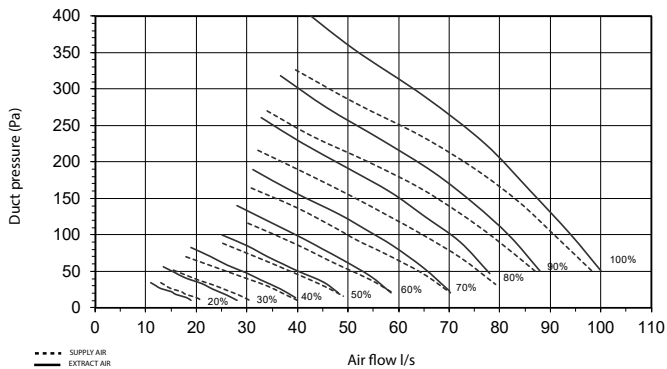


Left handed unit with connection for cooker hood



## Characteristics

Salla (D) supply and extract air characteristics with F7/F7 filters



## Installation

Mounting	Wall	X	Ceiling	X
Frame alternatives	Right	X	Left	X

Enervent Zehnder Oy  
Kipinätie 1  
FI-06150 Porvoo, Finland  
Tel: +358 207 528 800  
enervent@enervent.com  
[www.enervent.com](http://www.enervent.com)

***enervent***