

Enervent Pelican Z

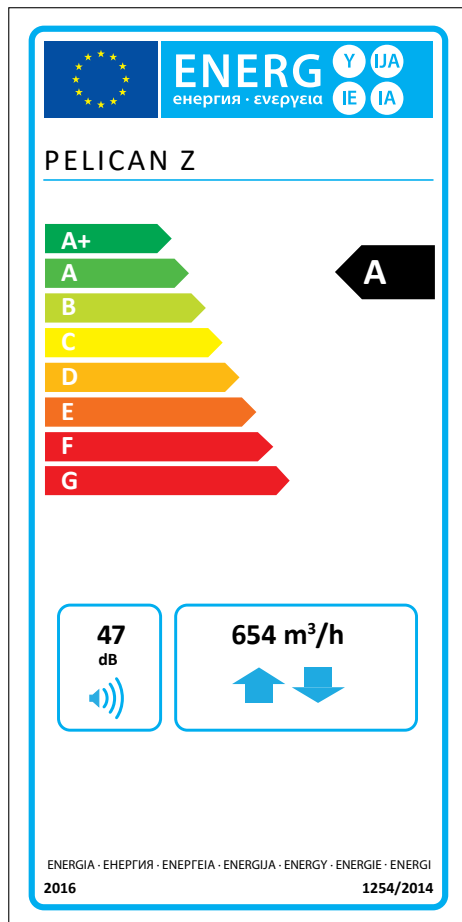


ENERVENT PELICAN Z

General information

The Enervent Pelican Z unit is best suited for large detached houses or public spaces, like offices. Pelican Z is the smallest unit in our range that can be fitted with a built-in extract air heat pump (HP). All heating and cooling coils, as well as the heat pump unit, are built-in to the unit. The Pelican Z HP with a built-in heat pump cools and heats the air on demand. The cooled and heated air is evenly distributed throughout the building via the ventilation ducts (not local point formed distribution, as in traditional heat pumps).

EcoDesign label



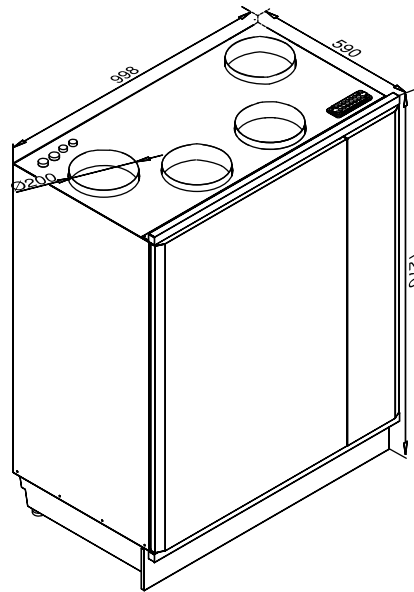
The information on the energy label for this product has been defined with local demand control. Local demand control means that the ventilation unit continuously regulates the fan speed(s) and flow rates based on more than one sensor. Please remember to connect all local sensors (some sold as extra equipment) in order to achieve the declared energy class.

Technical details

Reference flow rate according to EcoDesign directive (50 Pa)	457 m ³ /h
Air volume flow	50–650 m ³ /h
Pressure difference	25–100 Pa
Leakage	external < 5 % (test pressure 300 Pa) internal < 5 %
Duct size	Ø 200 mm
Weight	125 kg
Standard filters, 2 x bag filter	F7/M5
Filter dimensions (W x H x D)	Supply 519 x 195 x 340 mm Extract 460 x 195 x 350 mm
IP class	IP44 (external control IP20)
Water heating coil connections	Intake/return 15 mm
Water cooling coil connections	Intake/return 15 mm
Evaporator connections	Intake ½", return 15 mm
Condense connection	¼" internal thread
Nominal voltage	230 V
Nominal current	Motors 2.4 A total Electrical after heating 8.7 A
Fans	
Supply and exhaust air fan type	Ebm-Papst
Supply and exhaust air motor type	R3G190-RD45-17
Nominal voltage	230 V (AC), EC type, with external electronic control
Type of fan blade	Radial backward
Nominal power	169 W, 1.35 A, 50 Hz
Fan control eWind control	4 situations (away, home, boost, timer controlled boost). In each situation both fans can be fine adjusted separately.
Fan control eAir control	Stepless (supply and extract running separately)
Heat exchanger	
Heat exchanger type	Rotating heat exchanger
Material	Aluminium
Heat exchanger surface	70 m ²
Heat exchanger dimensions	450 x 200 (60 µ)
Heat exchanger motor	6 W
Ventilation unit annual temperature efficiency (EN 13141-7:2010)	77,7 %
Supply air annual heat recovery efficiency* (EN 16798-3:2017)	91,3 %
Extract air annual heat recovery efficiency* (D5:2012)	77,5 %
* supply air +18°C, extract air +21°C, exhaust air temperature limit -7°C	
Other information	
Material inside cover	Steel sheet, zinc coated
Material outside cover	Steel sheet, zinc coated, powder painted
Sound level in supply air duct at fan speeds 20, 40, 60, 80 and 100% LWA	-, 60, 67, 74, 78
LPA, dB(A), 10 m ² : sound absorption	-, 35, 40, 45, 48
Standard electric after heater efficiency	2 000 W
Positioning of a cooling (CG) coil	Built-in

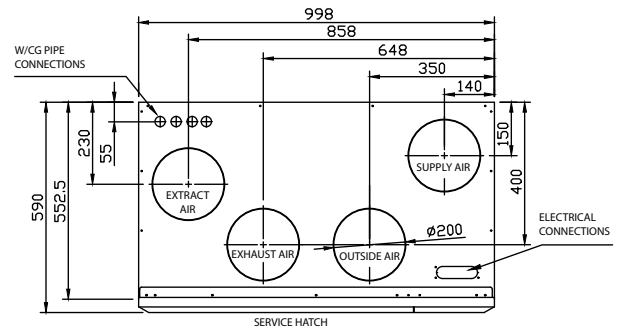
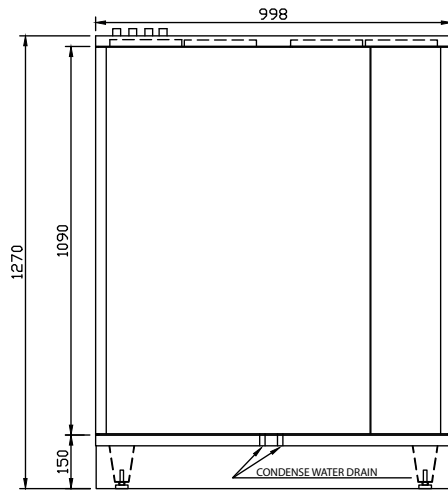
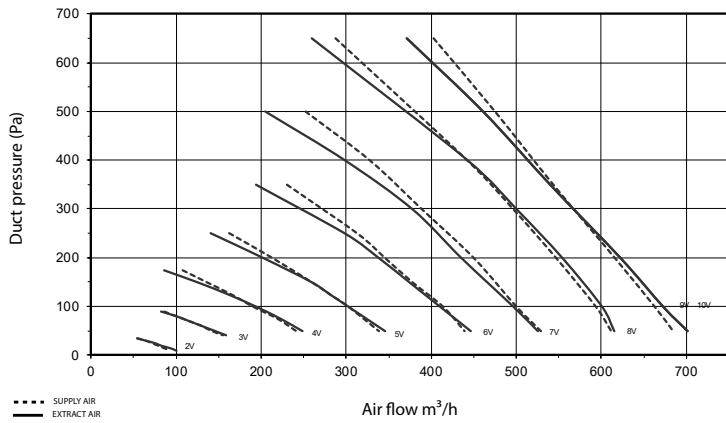
ENERVENT PELICAN Z

Dimension drawings



Characteristics

Pelican Z supply and extract air characteristics with F7/M5 filters



Installation

- Floor X
- Wall
- Ceiling

enervent

Enervent Zehnder Oy
Kipinätie 1, 06150 Porvoo, Finland
Tel: +358 207 528 800
enervent@enervent.com, www.enervent.com

