

# Enervent eWind

**ENG** User instructions



***enervent***

PART OF ENSTO

Copyright © Ensto Enervent 2016.

Unauthorized copying and lending are prohibited.

## Approvals and version history

Revision	Date	Description of change	Approved by
0.0	2016-01-25		

# Contents

- Approvals and version history ..... 2
- READ ME FIRST ..... 4
  - Setting up the system ..... 4
- INTENDED USE ..... 4
- OPERATION ..... 4
- USING VENTILATION UNIT ..... 5
  - eWind control panel ..... 5
  - Every day use of ventilation ..... 6
  - Operation modes ..... 6
    - Away mode (1) ..... 6
    - Home mode (2) ..... 6
    - Home mode with boosted ventilation (3) ..... 6
    - Boost mode (4) ..... 6
      - Changing supply air temperature ..... 6
    - Overpressure (fireplace) mode ..... 7
    - Heating mode ..... 7
    - Eco mode ..... 7
- USING VENTILATION EFFICIENTLY ..... 7
  - Using ventilation in cold season ..... 8
- ENHANCED FEATURES ..... 8
  - Information view ..... 8
    - eWind Info list ..... 8
  - Measurements view ..... 9
    - eWind Measurements list ..... 9
  - Service reminder view ..... 9
    - Time to service ..... 9
  - Settings view ..... 10
- ADJUSTMENTS ..... 10
  - Supply air is too warm ..... 10
  - Supply air is too cold ..... 10
  - Ventilation is not sufficient ..... 10
  - Ventilation is noisy ..... 10
  - Indoor air is too humid ..... 10
  - Ventilation is not running ..... 11
- ALARMS ..... 11
  - Clearing alarms ..... 11
- MAINTENANCE ..... 12
  - Service reminder ..... 12
  - Filters ..... 12
    - Filter types ..... 12
    - Replacing filters ..... 13
  - Fans ..... 14
    - Inspecting ..... 14
    - Cleaning ..... 14
  - Heat exchanger ..... 14
    - Inspecting ..... 14
    - Cleaning ..... 14
    - Replacing heat exchanger belt ..... 14
- SUPPORT ..... 16
- TROUBLESHOOTING ..... 16

## READ ME FIRST

This manual is intended for the user of Enervent ventilation unit and eWind control panel.



### Setting up the system

The ventilation system should already be installed and ready to use when you read this.



#### CAUTION

**CAUTION:** Do not try to run the setup yourself. The ventilation system installation must be carried out by a professional system installer.

<b>enervent</b> <sup>®</sup>	<b>ilmastointilaite ventilation unit</b>
TYYPPI/TYPE: SRJ.NRO/SERIAL NO: W / V / HZ / A:	
 	ENSTO ENERVENT OY KIPINÄTIE 1 06150 PORVOO TEL +358 (0) 207 528800 FAX +358 (0) 207 528844

## INTENDED USE

The purpose of this unit is to improve the quality of indoor air. Ventilation is the primary function of the unit.

The unit is also used for recovering heat energy from extracted air. Depending on the model, it can be used for cooling supply air during summertime. It can also be used for controlling the humidity and carbon dioxide levels of indoor air.

## OPERATION

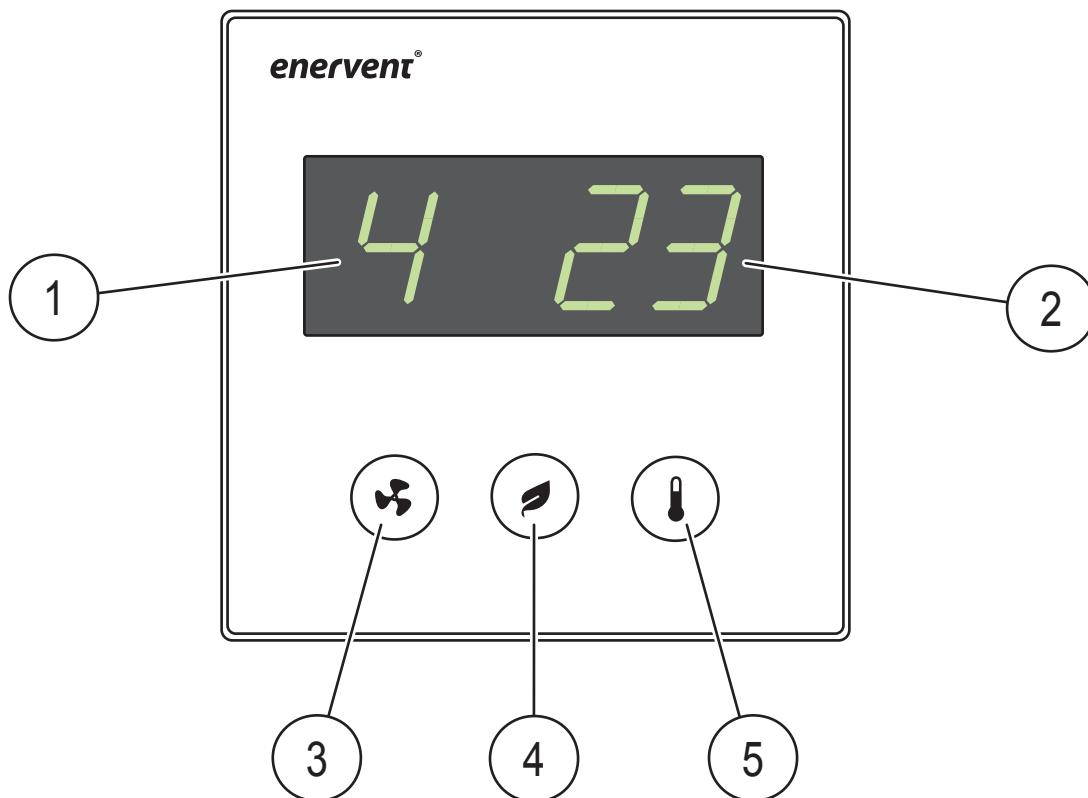
Well-functioning ventilation creates the foundation for comfortable living. Mechanical ventilation means that fresh outside air is distributed into the building, and used air is blown out. The purpose of ventilation is to bring clean, filtered air for people and pets inside the house, and to remove accumulated impurities from the air.

Heat energy is recovered from the extracted air by the rotating heat exchanger. The aluminium foils collect heat from the extract air, and when they rotate to the supply-air flow, they release the energy.

## USING VENTILATION UNIT

When the ventilation has been carefully planned and installed, there is really not much you need to do. Just sit back, relax and enjoy properly ventilated air.

### eWind control panel



eWind control panel

- |                 |                        |                |
|-----------------|------------------------|----------------|
| 1. Mode display | 2. Temperature display | 3. Mode button |
| 4. Eco button   | 5. Temperature button  |                |

Button / display	Description
Mode display	Current use mode.
Temperature display	Target supply air temperature.
Mode button	Selection of use mode. (Browsing of parameters.)
Eco button	Selection of Eco mode. (Browsing of parameters.)
Temperature button	Selection of target supply air temperature. (Browsing of parameters.)



**NOTE:** Some of the control panel functionalities are for installation or maintenance use only.

## Every day use of ventilation

Ventilation is controlled with a simple and easy-to-use control panel that is based on actual use situations. Operation modes based on these situations cover all the ventilation needs at your home. Selecting an operating mode changes the functionality of the ventilation unit accordingly. The installer of the unit will apply the operation mode parameters when commissioning the ventilation unit.

The control panel is normally in stand-by mode with a dimmed display. You can activate the unit by pressing any button.

## Operation modes

1 = Away (when not at home)

2 = Home (when at home)

3 = Home (when at home, with boosted ventilation)

4 = Boosted (when even more ventilation is needed)

F-PL = Overpressure (when lighting a fireplace)

HEAt = Heating on / heating off mode

Eco = When energy efficient ventilation is wanted

## Away mode (1)

If you are for example going on vacation or otherwise spending time away from the premises, you may want to reduce the ventilation.

To select:

1. Press the **Mode** button to scroll to mode 1.
  - The ventilation system adjusts itself to the new setting.



**NOTE:** The Away mode can be selected also by an external switch (if installed).

## Home mode (2)

If you are at home, the ventilation unit runs normally in the Home mode.

To select:

1. Press the **Mode** button to scroll to mode 2.
  - The ventilation system adjusts itself to the new setting.

## Home mode with boosted ventilation (3)

When extra ventilation is needed, the air flow can be increased.

To select:

1. Press the **Mode** button to scroll to mode 3.
  - The ventilation system adjusts itself to the new setting.

## Boost mode (4)

If you are having more people over, sometimes the ventilation that is designed for your daily life is not enough. This is especially true if there is a sauna involved.

To select:

1. Press the **Mode** button to scroll to mode 4.
  - The ventilation system adjusts itself to the new setting. The boost mode is time limited, running of the time is shown in the display by alternating bars after the mode number.



**NOTE:** If an external button is used for controlling the Boost mode, the mode remains activated as long as the button is switched on. After switching off the Boost mode remains on for the expiration time set in the system. Factory setting is 2 hours.

## Changing supply air temperature

The supply air target temperature (shown in the display) is set by the installation of the system. You can adjust it within the range of 15-22 °C.

To adjust:

1. Press the **Temperature** button to scroll to the desired target temperature.
  - The system adjusts the efficiency of the heat recovery or effect of the after-heating / cooling as required.

## Overpressure (fireplace) mode

If you are going to light the fireplace, you may need to use the overpressure function.

### WARNING



**WARNING:** The overpressure mode is primarily intended to be used only when lighting the fireplace, not for providing supply air to the fireplace.



**TIP:** Unnecessary use of the overpressure function leads to waste of energy.

To select:

1. Press the **Mode** button for 3 seconds.  
The display shows first briefly text **on** and then **F-PL**.

To return to Home mode:

1. Press the **Mode** button for 3 seconds.  
The display shows first briefly text **oFF** and then the display returns to the basic view.



**NOTE:** The Overpressure mode is set for duration of 10 minutes and can be selected maximum 2 times a day. When time is expired the system returns to the previous mode.



**NOTE:** The Overpressure mode can be set also by an external fireplace push button switch (if installed).

## Heating mode

The Heating mode uses the built-in heater to warm up the supply air.

To select:

1. Press the **Temperature** button for 3 seconds.  
The display shows briefly texts **HEAt** and **on** and then the display returns to the basic view.

To return to Home mode:

1. Press the **Temperature** button for 3 seconds.  
The display shows briefly texts **HEAt** and **oFF** and then the display returns to the basic view.



**NOTE:** The heater is not used to warm the supply air if the outside temperature is over + 25 °C.

## Eco mode

Selecting Eco mode for your ventilation system means that you allow the system to make slight changes to the defined temperature and ventilation values to save energy. In Eco mode, the system will not react to temperature changes as quickly as in normal mode, but waits awhile to see where the temperature is going before it starts heating or cooling the incoming air.

This green choice will not significantly affect your comfort level, but will save you money.

To select:

1. Press the **Eco** button.  
The display shows briefly text **ECO** and then **on** and then the display returns to the basic view.  
The ventilation system adjusts itself to the new setting.

To return to Home mode:

1. Press the **Eco** button.  
The display shows briefly text **ECO** and **oFF** and then the display returns to the basic view.



**NOTE:** The selected Eco mode switches off if the outside temperature rises over + 25 °C and switches back on when the outside temperature sinks below + 25 °C.

## USING VENTILATION EFFICIENTLY

Properly designed and used ventilation saves money and energy. It also promotes the health of both the living environment and its inhabitants.

- Always operate the ventilation system according to the plan specifically designed for your premises, throughout the year.
- Clean or replace the filters when prompted and vacuum the insides of the unit regularly.
- Open the ventilation unit hatch and take a peek regularly, for example once a month.
- Dust and other impurities in the air can get the equipment very dirty. The dirt blocks the filters and sticks onto the heat exchanger, which makes ventilation inefficient.
- Use the special modes, such as Overpressure only when really needed.
- Using the special modes unnecessarily increases your energy consumption.

- Instead or in addition to adjusting your ventilation system to achieve comfort, you can also use more traditional methods:
  - For example, having the curtains and windows closed on a hot day to keep the sun out, or dressing up more warmly on a cold day saves a lot of energy.
- Only use spare parts approved by Enervent.
- Only use original filters. They are designed to give maximum performance for your ventilation system.
- Use the Eco mode ventilation system to help you save energy and money without compromising the quality of indoor air.

## Using ventilation in cold season

### CAUTION



**CAUTION:** Turning down your ventilation system may cause serious damage to the structure of your house.

Do not turn the ventilation down or off even if the outside temperature falls. Instead of saving you money, it may cost you even more. Your ventilation system has been designed by a professional system designer. The design of the system and the equipment make sure that changes in the outside temperature have been taken into consideration. If there are no changes to your daily routines, there is no need to adjust the ventilation system.

If you turn down the air flow during cold weather you increase the risk of ice build-up in your ventilation unit. This risk is higher during extreme freezing out conditions and with high indoor humidity (extensive shower use and lots of drying laundry).

If the ventilation system design needs updating, contact your system designer.

## ENHANCED FEATURES

### Information view

You can view the active functions from eWind Info list shown in the information display.

#### eWind Info list

To select:

1. Press the **Eco** and **Temperature** buttons simultaneously once.
  - A parameter (n1..nn) is shown in the display.
2. Press the **Mode** or **Eco** buttons to scroll the parameter list up or down.

To return to the basic view:

1. Press the **Eco** and **Temperature** buttons simultaneously once.



**NOTE:** Without input the menu closes after 5 minutes and the panel switches back to basic display.

eWind Info list	
Designation	Explanation
n0	Basic mode in use.
n1	Ventilation boosted by %RH.
n2	Ventilation boosted by CO2 .
n3	Heat recovery in use.
n4	After-heating by electrical or water coil in use.
n5	Outside air pre-heating by CHG/AGH or electrical pre-heater in use.
n6	Supply air cooling by CG, CHG or AGH in use.
n7	Cool recovery by rotating heat exchanger in use.
n8	Ventilation manually boosted.
n9	Away mode in use.
n10	Rotor dehumidification in use.
n11	Defrosting in use.
n12	Eco mode in use.
n13	Service reminder; Days remaining to next filter change.
n14	Unit starting up.



## Measurements view

You can follow the temperature, humidity, heat recovery efficiency among other measurements in the eWind Measurements list shown in the measurements display.

## eWind Measurements list

To select:

1. Press the **Eco** and **Temperature** buttons simultaneously twice.
  - A parameter (r1..rn) and the value of the parameter are shown in the display.
2. Press the **Mode** or **Eco** buttons to scroll the parameter list up or down.

To return to the basic view:

1. Press the **Eco** and **Temperature** buttons simultaneously once.

eWind Measurements list				
Display	Explanation	Designation in schematics and connection on ESC main board	Note	Modbus-register
r1	Outside air temperature, °C	TE01	All models	6
r2	Supply air temperature after heat recovery, °C	TE05	All models	7
r3	Supply air temperature, °C	TE10	All models	8
r4	Extract air temperature, °C	TE30	All models	10
r5	Exhaust air temperature, °C	TE32	All models	9
r6	Return water temperature of water heating coil, °C	TE45	ESW only. Other models show "0".	12
r7	Pre-heated outside air temperature (CHG/AGH/electrical pre-heater), °C	TE02	Only if equipped with CHG/AGH or electrical pre-heater.	32
r8	Relative humidity of extract air, %RH	RH30	All models	13
r9	CO2 level, ppm		Without external CO2 sensor (accessory) showing "-"	23
r10	External relative humidity measurement, %RH		Without external %RH sensor (accessory) showing "-"	23
r11	Supply air heat recovery temperature efficiency, %		All models Calculated value	29
r12	Extract air heat recovery temperature efficiency, %		All models Calculated value	30

## Service reminder view

The Service reminder is intended to remind the user once the service interval is expired. The interval is set to 4 or 6 months depending on the unit model.

- When expired, text **FILS** is shown in the display.

## Time to service

To view:

1. Press the **Eco** and **Temperature** buttons simultaneously once.
2. Press the **Mode** button to scroll to parameter n13.
  - The time to the next service is displayed in days.

## Settings view

The Settings menu is for professional use only. It shows the settings chosen for your ventilation system and allows changing of settings.

### CAUTION



**CAUTION:** Only a qualified person with sufficient training in ventilation is allowed to make changes to the settings.

## ADJUSTMENTS

### Supply air is too warm

If the air coming from the ventilation system is too warm:

1. Press the **Temperature** button to scroll to a suitable lower input air target temperature. The temperature marking on the panel changes and the ventilation system starts adjusting itself to reach the defined temperature.



**NOTE:** The unit uses all available equipment to reach the desired temperature. Lack of equipment, such as cooling coil, may result in higher temperature than you have set.



**NOTE:** Using Eco mode will maximize the heat recovery also in warmer weather. This can also result in too warm supply air. In that case turn Eco mode off.

### Supply air is too cold

If the air coming from the ventilation system is too cold:

1. Press the **Temperature** button to scroll to a suitable higher input air target temperature. The temperature marking on the panel changes and the ventilation system starts adjusting itself to reach the defined temperature.



**NOTE:** The unit uses all available equipment to reach the desired temperature. Lack of equipment, such as after-heater, may result in lower temperature than you have set.



**NOTE:** Lack of maintenance: Clogged filters, worn out heat recovery drive belt etc. can also result in cold supply air.

## Ventilation is not sufficient

If the ventilation is not sufficient:

1. Make sure the filters are clean and do not need to be replaced.
  - If the filters are dirty, replace them as instructed in chapter "Filters" on page 12.
2. Make sure there are no major changes in your ventilation since the system was designed and installed.
  - If there have been changes for example in the number of people using the premises, or in your routines otherwise, your ventilation system may need updating. Contact your ventilation system designer.

## Ventilation is noisy

Even though these ventilation units are fairly quiet, they are never completely silent. However, if the ventilation system is properly planned and built – no units near the bedrooms, soundproof doors and mufflers are used – the disturbance from ventilation can be diminished.

If the ventilation is unusually noisy:

1. Make sure the filters are clean and do not need to be replaced.
  - If they are dirty, replace them as instructed in chapter "Filters" on page 12.
2. Make sure the fans are clean and do not need to be cleaned.
  - If they are dirty, clean them as instructed in chapter "Cleaning" on page 14.
3. Make sure that the automatic humidity boosting is not running.
  - Open the Information view and scroll for parameter n1. If the parameter is visible, the boosting is on.



**NOTE:** If the boosted ventilation stays constantly on, it may be a sign of excess humidity in the in air. Contact your ventilation system designer.

## Indoor air is too humid

In addition to feeling humidity in the air, you can also notice excessive humidity by listening to the sounds of the ventilation. If the automatic humidity boosting is always on, it may be a sign that there is too much

humidity in the air and the ventilation system is trying to get rid of it.

If the indoor air is too humid:

1. Make sure the filters are clean and do not need to be replaced.
  - If they are dirty, replace them as instructed in chapter "Filters" on page 12.
2. Make sure there are no major changes in your ventilation since the system was designed and installed.



**NOTE:** If there are changes in for example the number of people using the premises and/or the use of showers and sauna, your ventilation system may need updating. Contact your ventilation system designer.

## Ventilation is not running

If the ventilation is not working:

1. Make sure that the ventilation unit power switch (not included in every unit model) is in the ON position.
2. Make sure that the electric supply is connected.
3. Make sure that the panel input of the device is connected.
4. Make sure that the fuse is not blown.

If all these are in order and the ventilation is still not running, contact your service company.

## ALARMS

Alarms issued from the ventilation system are shown in the display. There are three categories of alarms:

Category	Indication	Symptom
A	The error code is visible in the display.	All units are stopped.
AB (fault tolerant)	The error code flashes in the display in 2 second intervals.	The exhaust fan runs in minimum speed.
Service	Text <b>FILS</b> is visible in the display.	The service interval is expired.

## Clearing alarms

### CAUTION



**CAUTION:** Do not reset the alarm until you have resolved the problem causing the alarm.

To clear:

1. Register the alarm code and refer to chapter "TROUBLESHOOTING" on page 16 to see if the issue is simple enough to be solved by you.
  - If in doubt, contact your ventilation installer.

Code	Description	Cat.	Remark
AL1	Water coil freezing danger (return water sensor).	A	ESW model only. Press any button for 5 seconds to acknowledge after repair.
AL2	Supply air cold after heat recovery.	AB	Acknowledged automatically when supply air warms up.
AL3	Supply air cold.	AB	Acknowledged automatically when supply air warms up.
AL4	Supply air fan fault (tachometer).	A	Correct fault. Press any button for 5 seconds to acknowledge after repair.
AL5	Extract air fan fault (tachometer).	A	Correct fault. Press any button for 5 seconds to acknowledge after repair.
AL6	Extract air cold.	AB	Acknowledged automatically when extract air warms up.
AL7	Supply air hot.	A	Switch unit off to acknowledge.
AL8	Electric after-heater or pre-heater over heating protection.	A	Switch unit off to acknowledge.

## MAINTENANCE

The unit needs almost no maintenance. The maintenance is mostly limited to:

- Changing filters
- Cleaning heat exchanger
- Cleaning fans
- Inspecting the condensation drain.

### DANGER



**DANGER:** Before you start maintenance, cut the power from the main power switch or from the LTR-series unit by removing the service hatch. Wait for approximately two (2) minutes before starting maintenance work. Although the unit's power supply is cut, the fans will rotate and the electrical coil will be hot for a while.

The equipment includes moving parts (e.g. fans, HRW motor and belt, compressors and pumps) that are subjected to wear. Due to normal wear these parts will have to be changed during the lifetime of the equipment. The normal lifetime of the parts subjected to wear depends on the operating conditions and the operating times, therefore it is not possible to state a normal lifetime for these consumable parts.

## Service reminder

The control panel prompts you to perform the regular maintenance tasks. The control panel display shows the reminder prompt **FILS** when the service period has expired.

Acknowledge the FILS service reminder after maintenance by pressing any button on the eWind operating panel for 5 seconds.



**NOTE:** When performing a maintenance task on one part of equipment, always inspect the wear and cleanliness of the other parts, as well.

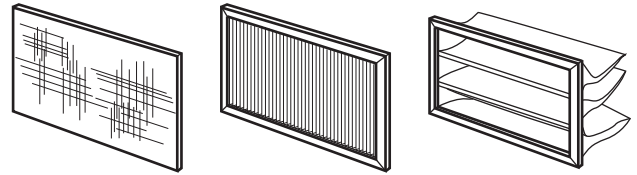


**NOTE:** Visit the HelpCenter on our web page [www.enervent.fi](http://www.enervent.fi) for videos showing the maintenance tasks.

## Filters

### Filter types

There are three different types of filters.



*Plain filter, pleated filter and bag filter*

The recommended maximum service intervals are:

Filter type	Service interval
Plain filter	4 months
Pleated filter	4 months
Bag filter	6 months



**NOTE:** The filters are not cleanable and cannot be reused.

If class M5 bag filters are used the time between filter changes can be prolonged to one (1) year by vacuuming the filters on the inside.

### CAUTION



**CAUTION:** Vacuuming/cleaning of the M5 plain and F7 bag filters is not allowed.

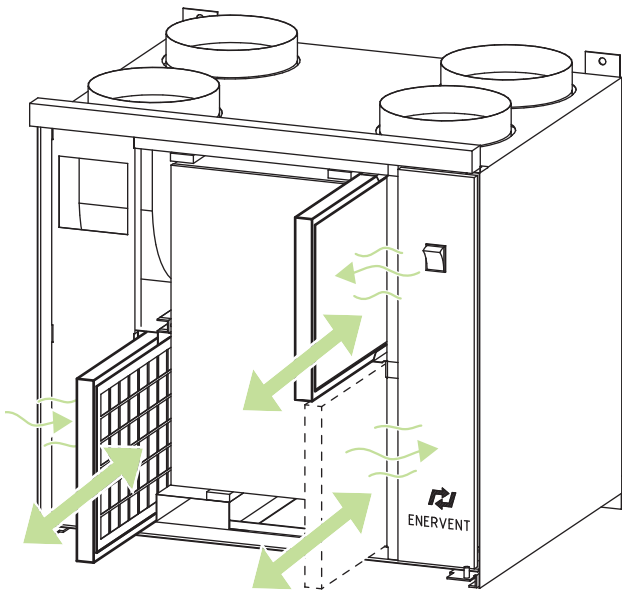
Pleated filters may be cleaned with compressed air, thereby extending the change interval to max six (6) months.



**NOTE:** The compressed air must be oil free and dry.

The rubber gaskets for the filters are recommended to be lubricated by silicone oil. This will greatly increase the lifespan for the gaskets.

## Replacing filters



Replacing filters (generic view)



**NOTE:** Vacuum the inside of the unit for better performance and cleaner indoor air.

### Bag filter

To replace:



**DANGER**  
**DANGER:** Before opening the service hatch, always make sure that the unit's supply voltage is switched off.



**NOTE:** For LTR-series units: The power cuts off when the service hatch is opened.

1. Open the service hatch.
2. Release the filter locking levers, if there are any.
3. Pull the old filter out of the unit.
4. Insert a new filter.
5. Close the filter locking levers, if there are any.
6. Close the service hatch properly.
7. Switch the power on.



**TIP:** Remove the metal frame from the used bag filter and recycle it along with metal waste. The filter fabric can be disposed of along with mixed waste.

### Plain filter

To replace:



**DANGER**  
**DANGER:** Before opening the service hatch, always make sure that the unit's supply voltage is switched off.



**NOTE:** For LTR-series units: The power cuts off when the service hatch is opened.

1. Open the service hatch.
2. Remove the filter from the ventilation device.
3. Remove the filter fabric from the frame.
4. Replace the filter fabric with a new one.
5. Replace the filter back into the unit so that the support grid faces the heat recovery wheel.
6. Close the service hatch properly.
7. Switch the power on.



**TIP:** Replace only the fabric part of the plain filter. Reuse the metal frame with a clean filter. The filter fabric can be disposed of along with mixed waste.

### Pleated filter

To replace:



**DANGER**  
**DANGER:** Before opening the service hatch, always make sure that the unit's supply voltage is switched off.



**NOTE:** For LTR-series units: The power cuts off when the service hatch is opened.

1. Open the service hatch.
2. Remove the filter from the ventilation device.
3. Replace the filter with a new one.
  - Pay attention to the arrow on the filter showing the airflow through the filter.
4. Close the service hatch properly.
5. Switch the power on.



**TIP:** The filter can be disposed of along with mixed waste.

## Fans

### Inspecting

To inspect:



#### DANGER

**DANGER:** Before opening the service hatch, always make sure that the unit's supply voltage is switched off.

1. Inspect the cleanness of the fans visually when changing the filters.
  - If they look dirty, clean them.



**TIP:** Vacuum the inside of the unit for better performance and cleaner indoor air.

### Cleaning

To clean:



#### DANGER

**DANGER:** Before opening the service hatch, always make sure that the unit's supply voltage is switched off.

1. Remove the fans from the unit.
2. Clean the fans with a toothbrush or pressurized air.
3. Place the fans back into the unit.

## Heat exchanger

### Inspecting

To inspect:

1. Check the cleanness of the heat exchanger visually when changing the filters.
  - If it looks dirty, clean it.



**TIP:** Vacuum the inside of the unit for better performance and cleaner indoor air.

## Cleaning

To clean:



#### DANGER

**DANGER:** Before opening the service hatch, always make sure that the unit's supply voltage is switched off.

1. Remove the heat exchanger from the unit.
2. Wash the heat exchanger with water and neutral detergent or use pressurized air.



#### WARNING

**WARNING:** Do not submerge the heat exchanger in water. The electric motor inside the exchanger must not get wet.



#### WARNING

**WARNING:** The use of a pressure washer is strictly forbidden.

3. Dry the heat exchanger properly.
4. Place the heat exchanger back into the unit.
5. Start the unit up to verify the rotation.
6. Close the service hatch.

## Replacing heat exchanger belt

If the heat exchanger has stopped rotating, the reason for it may be a broken drive belt. Check the condition of the belt from the round opening at the front of the heat exchanger. There is one spare belt attached to all heat exchangers.



**NOTE:** Visit the HelpCenter on our webpage [www.enervent.fi](http://www.enervent.fi) for videos showing the maintenance tasks.

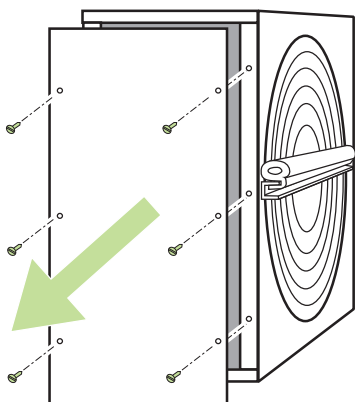
To replace:



#### DANGER

**DANGER:** Turn off the ventilation unit by switching off the main power supply, by removing the fuse or by disconnecting the wall plug.

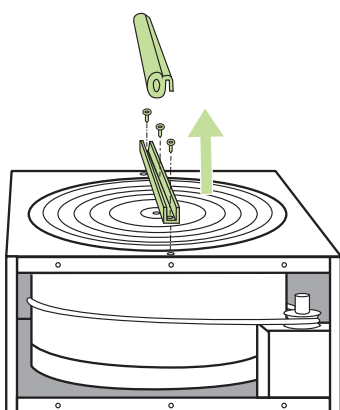
1. Detach the bayonet connector from the socket.
2. Remove the heat exchanger from the unit carefully.
3. Unscrew the six screws on the heat exchanger maintenance hatch lid at the front side of the heat exchanger.



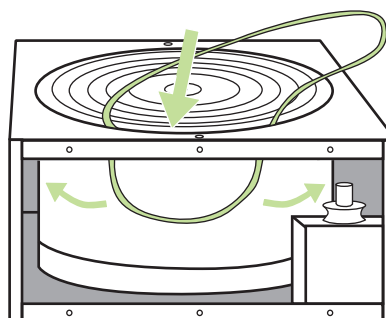
4. Open the maintenance hatch with the help of a flat tool.
  - Use for example a Stanley knife.
5. Pull off the broken heat exchanger belt.
6. Inspect the belt wheel to make sure it is undamaged, in its place and rotating properly.
7. Clean the heat exchanger and the belt wheel.
  - Use water and neutral detergent with a soft, lint-free cloth.
  - Rotate the heat exchanger to make sure everything gets cleaned.
  - Make sure that the heat exchanger is rotating freely, without excessive force. You should be able to rotate the heat exchanger with only one finger.

Go to step 8 if a spare belt is not attached on your heat exchanger.

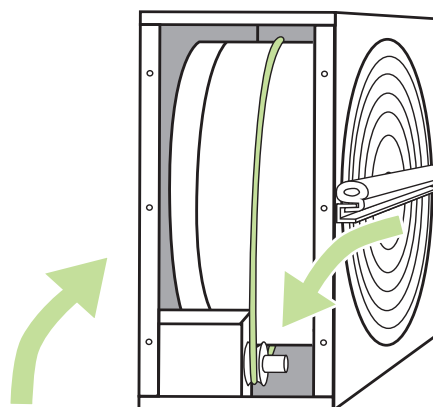
- Pull the spare exchanger belt from the holders by rotating the exchanger.
    - Leave the holders on the heat exchanger.
8. Loosen the U-beam on one side of the heat exchanger by removing the screws under the U-beam rubber gasket.



9. Unscrew the hexagonal screw of the axle in the middle of the U-beam and remove the beam.
10. Slide the new belt inside around the heat exchanger through the opening in the casing and the gasket.



11. Rotate the heat exchanger to get the belt properly in place.
12. Replace the U-beam and reattach the axle and U-beam screws.
13. Go through the new belt with the cleaning cloth to make sure it is free of dirt.
14. Pull the belt onto the belt wheel.



15. Rotate the heat exchanger to see that the belt is in its place and everything looks fine.
16. Vacuum clean the heat exchanger casing.
  - Rotate the heat exchanger when you are vacuuming to be sure to clean everywhere.
17. Close the maintenance hatch.
18. Add some silicone onto the rubber strips outside the heat exchanger casing.
19. Place the heat exchanger back into the unit.
20. Reconnect the bayonet connector to the socket.
21. Reconnect the power.
22. Make sure the heat exchanger rotates.

## SUPPORT

## TROUBLESHOOTING

If something is wrong with your ventilation unit:

- Read the chapter “ADJUSTMENTS” on page 10.
- If the unit is giving an alarm, look for a solution in the table “TROUBLESHOOTING” on page 16.



### WARNING

**WARNING:** If in doubt about any of the procedures please contact your local service representative.

Alarm	Description	Alarm limit	Symptoms	Possible reason	Action	Notes
FILS	Service reminder.	4 or 6 months		<b>Time for regular maintenance.</b>	Change filters.	Press any button for 5 seconds to acknowledge.
Err	Sensor malfunction.			<b>A sensor is short- or open circuited.</b>	Check the connections and wiring of sensors.	
----	Downloading.			<b>eWind panel is downloading data from ESC main board.</b>	Normal at start-up. Otherwise check the eWind connection cable.	
oFFE	Stop mode.		Ventilation off.	<b>Ventilation unit is commanded to stop mode by an external control system.</b>		
AL1	Water heater coil in danger of freezing.	+8 °C	Supply air cold.	<b>Water coil has frozen / is about to freeze:</b> <ul style="list-style-type: none"> <li>• Circulation pump has stopped.</li> <li>• Heat exchanger is not rotating.</li> <li>• Actuator of the water coil's control valve is faulty.</li> <li>• Extract fan has stopped.</li> </ul>	Restart the pump.  Replace the motor or the belt.  Replace the actuator.  Find out why / replace the fan.	The unit will not start before the alarm condition has been removed and the alarm acknowledged by pressing any button on the operating panel.
AL2	Supply air after HRW is cold.	+5 °C	Supply air cold.	<b>Heat exchanger is not rotating:</b> <ul style="list-style-type: none"> <li>• Drive belt is broken.</li> <li>• Drive belt is slipping.</li> <li>• Heat exchanger motor has broken down.</li> </ul>	Replace the drive belt.  Clean or change the belt and the heat exchanger.  Replace the heat exchanger motor.	The ventilation unit enters the malfunction status, which means that the extract air fan is at minimum speed and the supply air fan has stopped.  The alarm is automatically acknowledged after the fault condition is removed.
AL3	Supply air cold.	+10 °C	Supply air cold.	<b>Extract fan has stopped.</b>	Replace the fan.	
				<b>Extract filter is blocked.</b>	Replace filter.	
				<b>Ventilation is adjusted incorrectly / not adjusted at all.</b>	Readjust/adjust ventilation according to the ventilation system design, using appropriate measuring tools.	
				<b>Heat insulation for the ducts is inadequate.</b>	Check the thickness of the insulation in supply and extract air ducts and add insulation, if needed.	
				<b>Ventilation unit fan speed is incorrect.</b>	Always use the fan speed specified by the ventilation system designer (even in winter).	



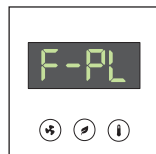
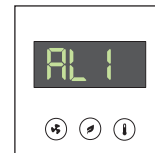
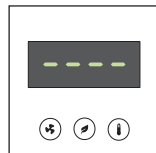
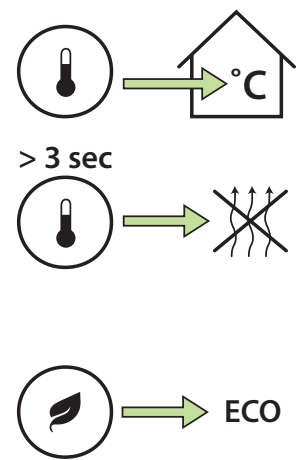
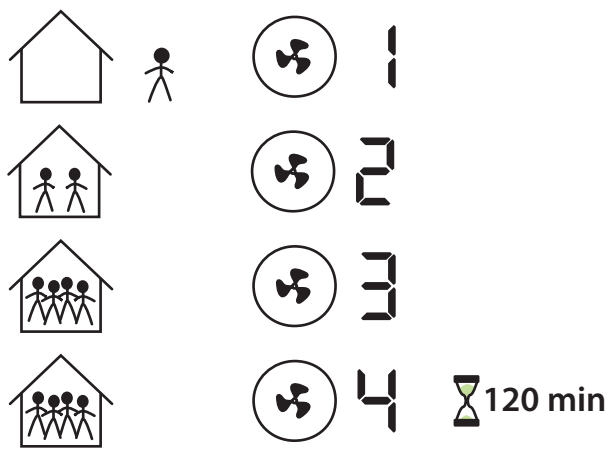
Alarm	Description	Alarm limit	Symptoms	Possible reason	Action	Notes
AL4	Supply fan failure.		No Supply air.	<b>Supply air fan has stopped.</b>	Repair or change the supply fan.	The unit will not start before the alarm condition has been removed and the alarm acknowledged by pressing any button on the operating panel.
AL5	Extract fan failure.		No Extract air.	<b>Extract air fan has stopped.</b>	Repair or change the extract fan.	
AL6	Extract air cold.	+10 °C	Supply air cold.	<b>Indoor temperature low.</b>	Rise the in temperature.	The ventilation unit enters the malfunction status, which means that the extract air fan is at minimum speed and the supply air fan has stopped.  The alarm is automatically acknowledged after the fault condition is removed.
				<b>Extract air duct heat insulation insufficient.</b>	Check the insulation of the ducts and add insulation if needed.	
				<b>Ventilation unit service hatch is open.</b>	Close the service hatch.	
				<b>TE30 temperature sensor is faulty.</b>	Repair or change the sensor.	
AL7	Supply air hot.  Fire hazard.	+55 °C	Supply air hot.	<b>Fire hazard.</b>	Check for any heat sources.	The unit will not start before the alarm condition has been removed and the ventilation unit restarted.
				<b>Electrical after heater is malfunctioning.</b>	Repair or replace the electrical after heater.	
				<b>Water after heater valve actuator is malfunctioning.</b>	Repair or replace the valve actuator.	
				<b>TE10 temperature sensor is faulty.</b>	Repair or replace the temperature sensor.	
AL8	Electric after-heater or pre-heater overheating.		Supply air hot.	<b>Electric pre- or after-heater is not functioning:</b> <ul style="list-style-type: none"> <li>• Overheating protector has tripped.</li> <li>• Supply air fan has stopped.</li> <li>• Supply air filter is blocked.</li> <li>• Outside air grating is blocked.</li> <li>• Controller card of heater is broken.</li> <li>• Heater is broken.</li> </ul>	<ul style="list-style-type: none"> <li>Find out the reason for overheating and acknowledge the error message.</li> <li>Find out reason / replace the fan.</li> <li>Replace the filter.</li> <li>Clean the grating.</li> <li>Remove possible mosquito net.</li> <li>Replace the controller card.</li> <li>Replace the heater.</li> </ul>	





# Enervent eWind

**ENG** Quick guide for user



Acknowledge the FILS service reminder after maintenance by pressing any button on the eWind operating panel for 5 seconds.

To select, press the Mode button for 3 seconds. The display shows first briefly text on and then F-PL.