

Enervent Pegasus Z



ENERVENT PEGASOS Z

General

The Enervent Pegasos Z unit is best suited for large detached houses and public spaces, such as schools and kinder gardens. Pegasos Z can be fitted with a built-in extract air heat pump (HP). All heating and cooling coils, as well as the heat pump unit, are built-in to the unit. The Pegasos Z HP with a built-in heat pump effectively cools and heats the air on demand. The cooled and heated air is evenly distributed throughout the building via the ventilation ducts (not local point formed distribution, as in traditional heat pumps).

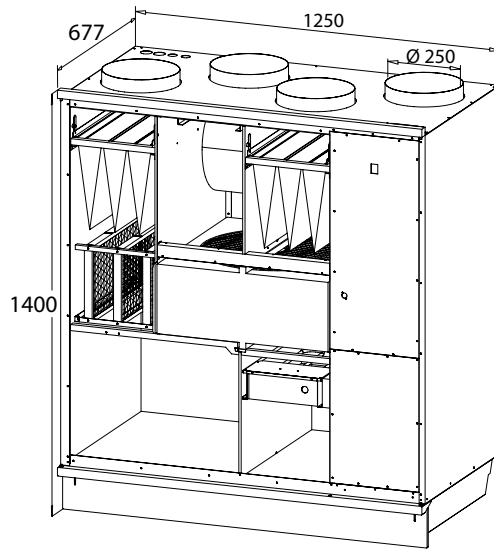
Enervent Pegasos Z is a 'non-residential ventilation unit' (NRVU) according to the EU Commission Regulation No 1253/2014. Ventilation units with maximum flow rate between 250 and 1 000 m³/h which the manufacturer has not declared intended as being exclusively for a residential ventilation application are called non-residential. Non-residential ventilation units (NRVUs) are excluded from EcoDesign labelling. Our calculation software Energy Optimizer, located on our website www.enervent.com, reports whether the chosen NRVU unit fulfills the EcoDesign requirements or not for the intended project.

Technical information

Air volume flow	140–1300 m ³ /h
Pressure difference	50–100 Pa
Leakage	external < 5 % (test pressure 300 Pa) internal < 5 %
Duct size	Ø 250 mm
Weight	203 kg
Standard filters, 2 x bag filter Filter measurements (W x H x D)	F7/M5 Supply 287 x 592 x 340 mm Extract 287 x 538 x 340 mm
IP class	IP44 (external control IP20)
Water heating coil connections	Intake/return 20 mm
Water cooling coil connections	Intake/return 20 mm
Evaporator connections	Intake ½", return 20 mm
Condense connection	¼" internal thread
Nominal voltage	230 V, models with electrical heater 400 V
Nominal current	Motors 4,44 A total Electrical after heating 10 A
Fans	
Supply and extract air fan type	Ebm-Papst
Supply and extract air motor type	G3G225-RI07-01
Nominal voltage	230 V
Type of fan blade	Radial backward
Nominal power	500 W / 230 V / 50 Hz
Fan control eWind control	4 situations (away, home, boost, timer controlled boost). In each situation both fans can be fine adjusted separately.
Fan control eAir control	Stepless (supply and extract running separately)
Heat exchanger	
Heat exchanger type	Rotating heat exchanger
Material	Aluminium
Heat exchanger surface	92 m ²
Heat exchanger dimensions	520 x 200 (60 µ)
Heat exchanger motor	6 W
Ventilation unit annual temperature efficiency (EN 13141-7:2010)	76,3 %
Supply air annual heat recovery efficiency* (EN 16798-3:2017)	90 %
Extract air annual heat recovery efficiency* (D5:2012)	76,2 %
* supply air +18°C, extract air +21°C, exhaust air temperature limit -7°C	
Other information	
Material inside cover	Steel sheet, zinc coated
Material outside cover	Steel sheet, zinc coated, powder painted
Sound level in supply air duct at fan speeds 20, 40, 60, 80 and 100% LWA LPA, dB(A), 10 m ² : sound absorption	
Standard electric after heater efficiency	4 000 W
Positioning of a cooling (CG) coil	Built-in

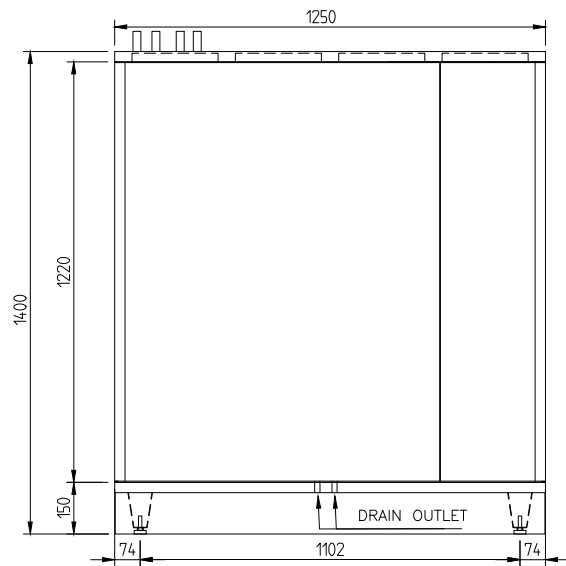
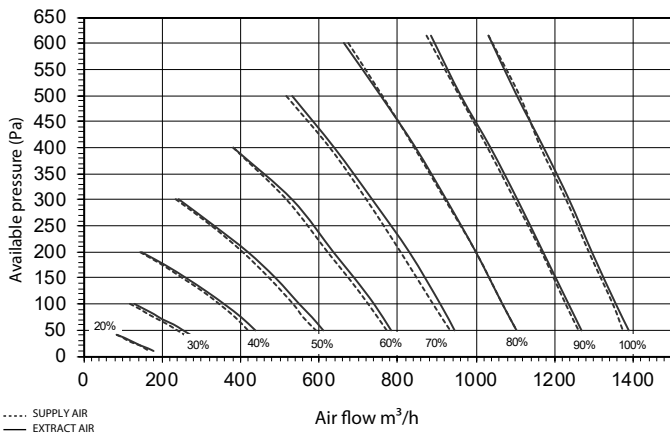
ENERVENT PEGASOS Z

Dimension drawings



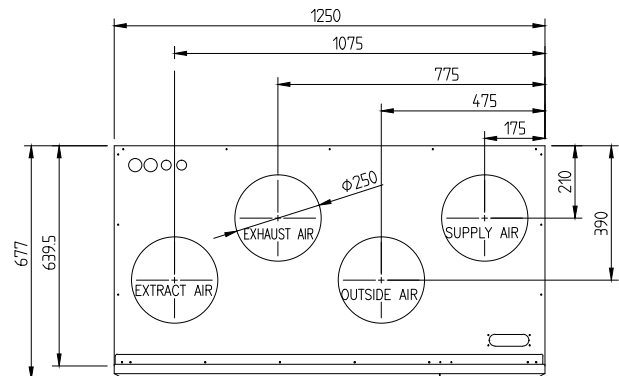
Characteristics

Pegasos Z supply and extract air characteristics with F7/M5 filters



Installation

- Floor X
- Wall
- Ceiling



enervent

Ventener Ab
Frejagatan 8, 506 34 Borgås, Sverige
Tel. 033-120 200
enervent@enervent.se, **www.enervent.se**

