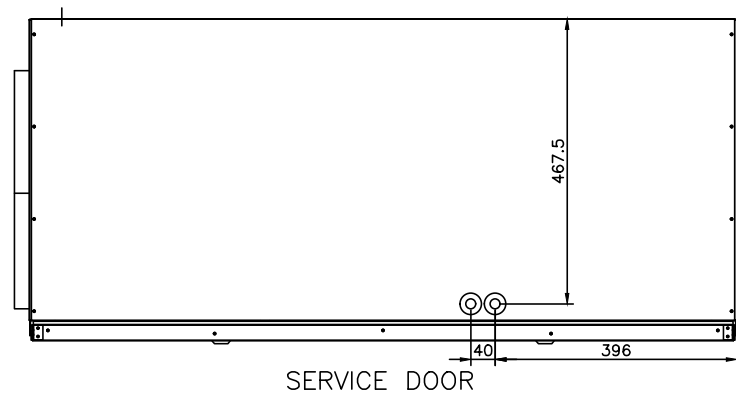
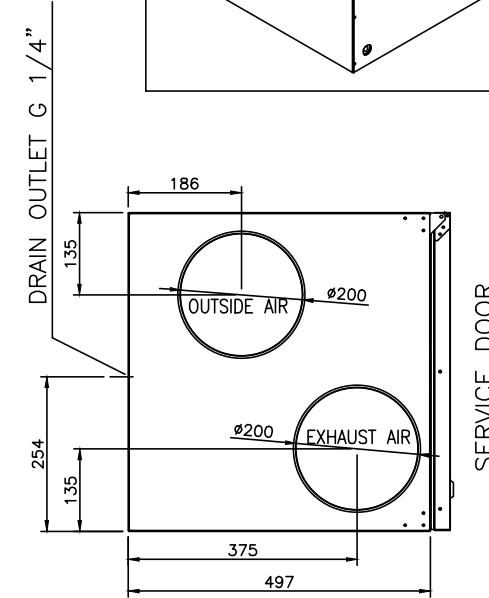
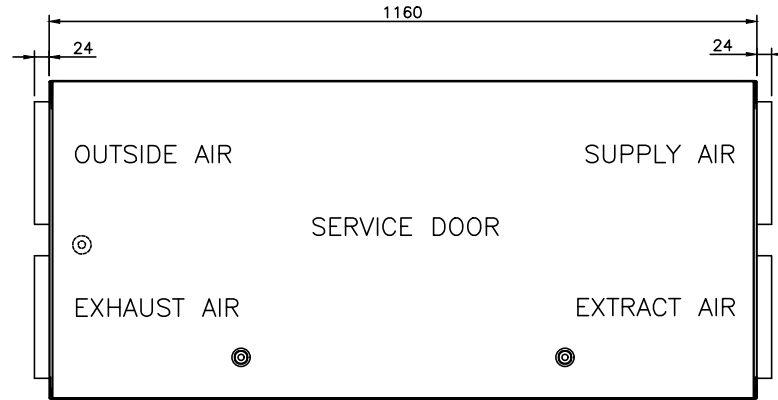
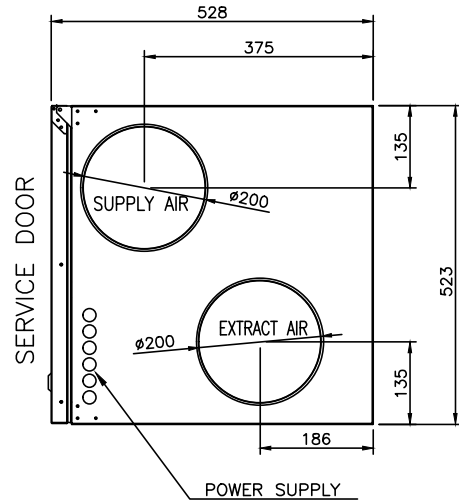
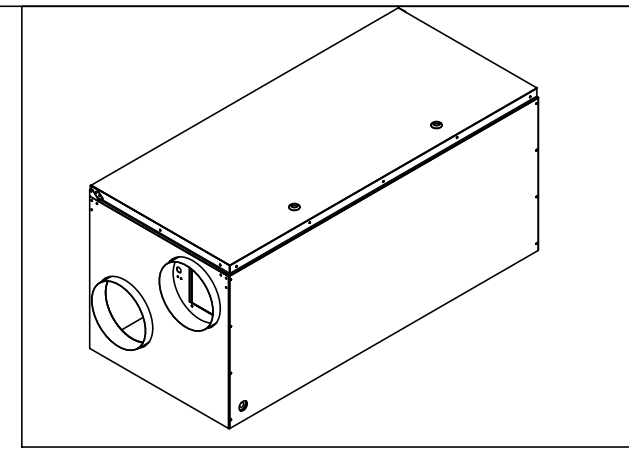
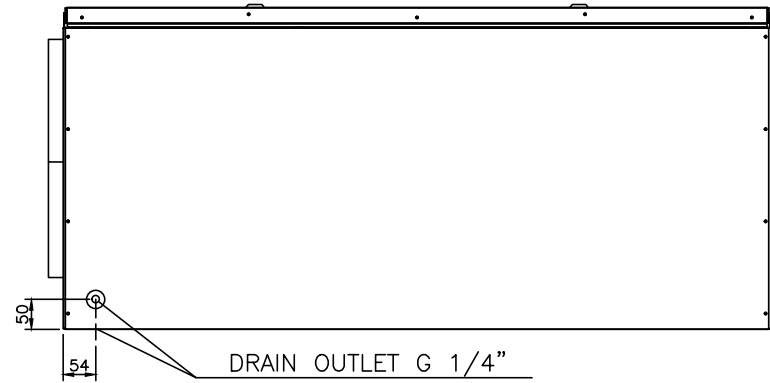


SERVICE DOOR



TOLERANCES
 Welded components:
 EN ISO 13920-AE
 Machine components:
 ISO 2768-mK

Item	Quantity	Description			Reference	
Designed by	Checked by	Approved by		Filename	Date	Scale
J.T					2019.05.10	
LTR-5				Title	Weight kg	
				DIMENSION DRAWING		
				Drawing number	Edition	Sheet
<small>Kipin@ite1, 06150 Porvoo Tel. 358-(0)207-528800 Fax. 358-(0)207-528844 E-Mail: enervent@enervent.fi</small>				LTR-5 K00 001	A	1

Rev	Revision note	Date	Signature	Checked