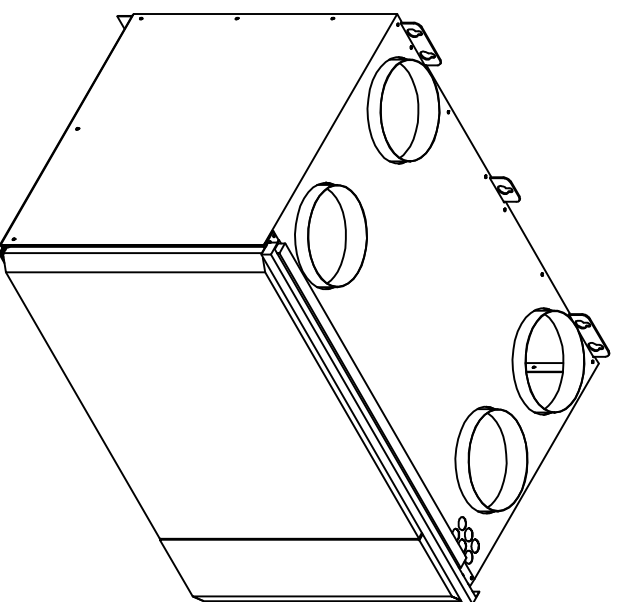
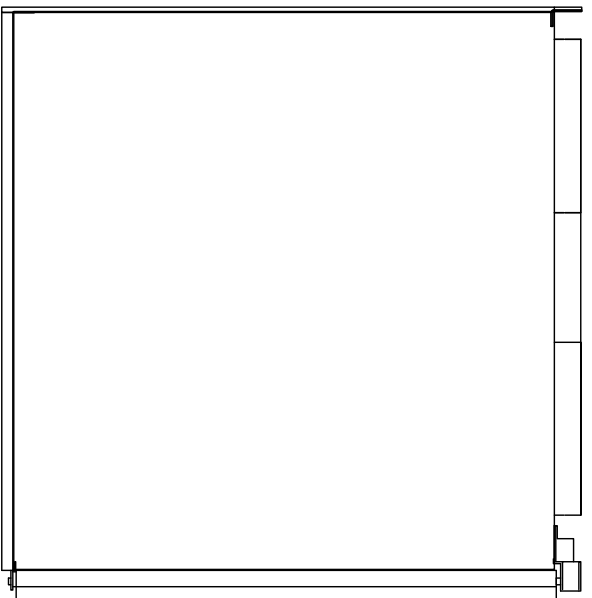


SERVICE DOOR



Rev	Revision note	Date	Signature	Checked
				20020507

Designed by	Checked by	Approved by	Filename	Date	Scale
JT			LI\VAKO\1\PINGVIN\05\PINGVIN.XLW	20090325	1:1
PINGVIN XL		Title/Name		Weight kg	
PINGVIN XL		DIMENSION DRAWING		A	
Drawing number		Edition		Sheet	
PINGVIN XL 002		A		1	

