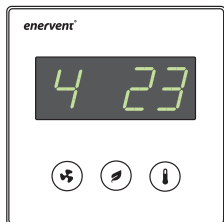


Enervent Kotilämpö eWind



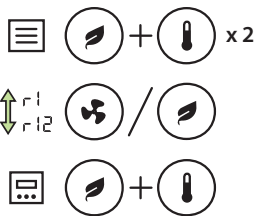
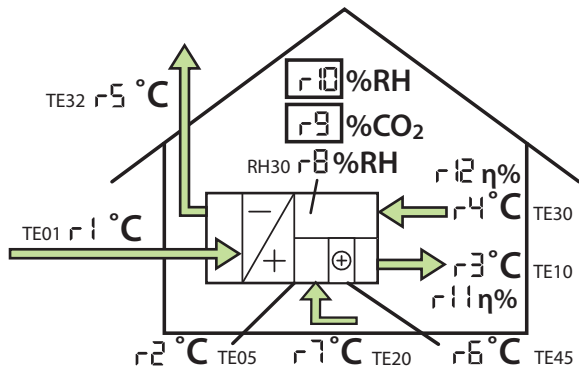
c1 - c36		
c1		36% (20 - 100%)
c2		35% (20 - 100%)
c3		56% (20 - 100%)
c4		55% (20 - 100%)
c5		83% (20 - 100%)
c6		80% (20 - 100%)
c7		100% (20-100%) (120 min)
c8		100% (20-100%) (120 min)
c9		2 h (0-4 h)
c10		30% (20-100%)
c11		50% (20-100%)
c12		10 min (0 - 15 min)

c1 - c36	
c13	oFF (on / oFF)
c14	4 (4 / 6)
c15	on (on / oFF)
c16	=> on, TE01 < °C, 5°C (0 - 10°C)
c17	=> oFF, TE01 > (c16 + c17), 1°C (1 - 5°C)
c18	on on / oFF
c19	=> on, TE01 > °C, 17°C
c20	=> on, TE01 > °C, 20°C (15-25°C)
c21	=> off, TE01 < (c20 - c21), 2°C (1 - 5°C)
c22	-15°C (-10 - -20°C)

enervent

Quick Guide

c1 - c36		
c23		on (on / oFF)
c24		0°C (-10 - +10°C)
c25		45% (10 - 100%RH)
c26		=>on, 48 h %RH + c26, 15% (5 - 30%)
c27		oFF (on / oFF)
c28		CO2=> on, 1000 ppm (600 - 1200)
c29		oFF (on / oFF)
c30		oFF (on / oFF)
c31	eWind Modbus	1 (1 - 99)
c32	Modbus	2 (1=9600, 2=19200, 3=115200)
c33		40% (30 - 100%)
c34		65% (30 - 100%)
c35		8°C (-10 - +20°C)
c36	TE10 MAX °C 	40°C (+10 - +50°C)



enervent